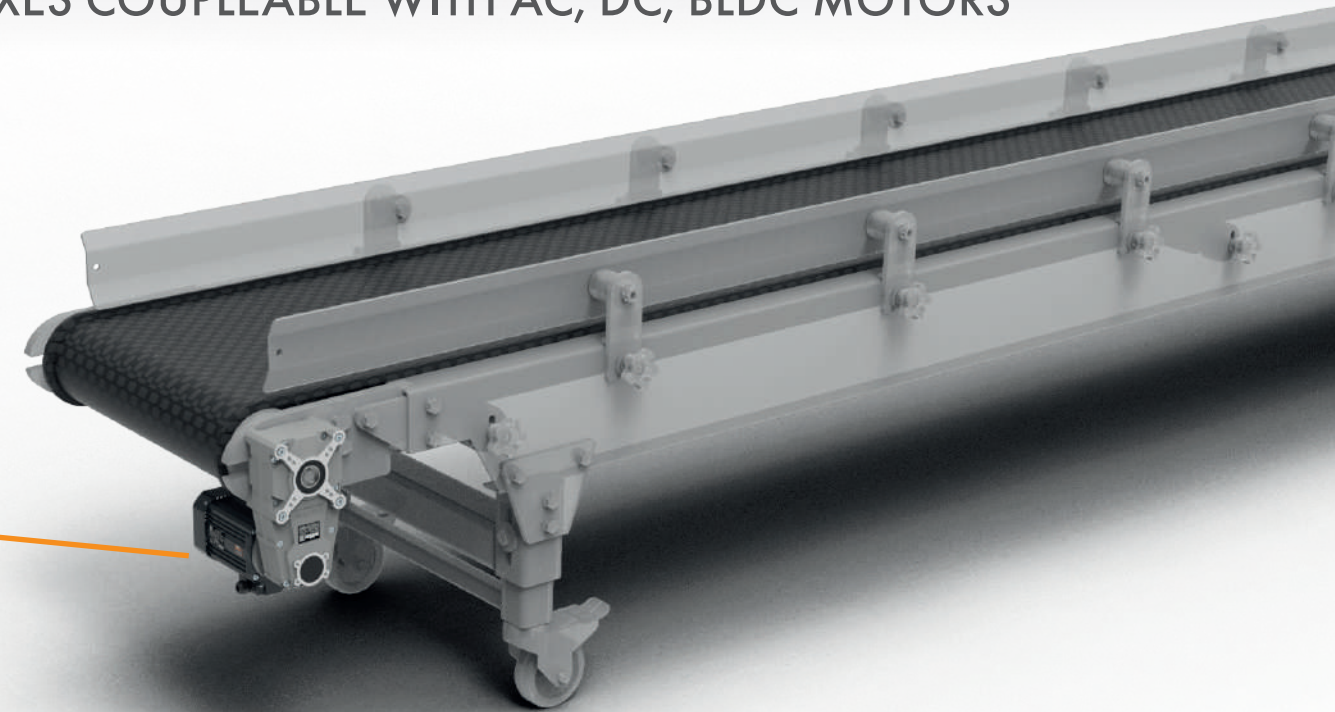
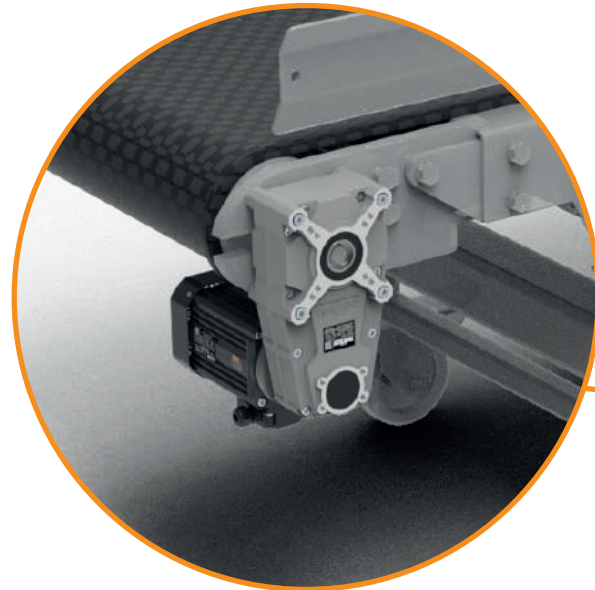
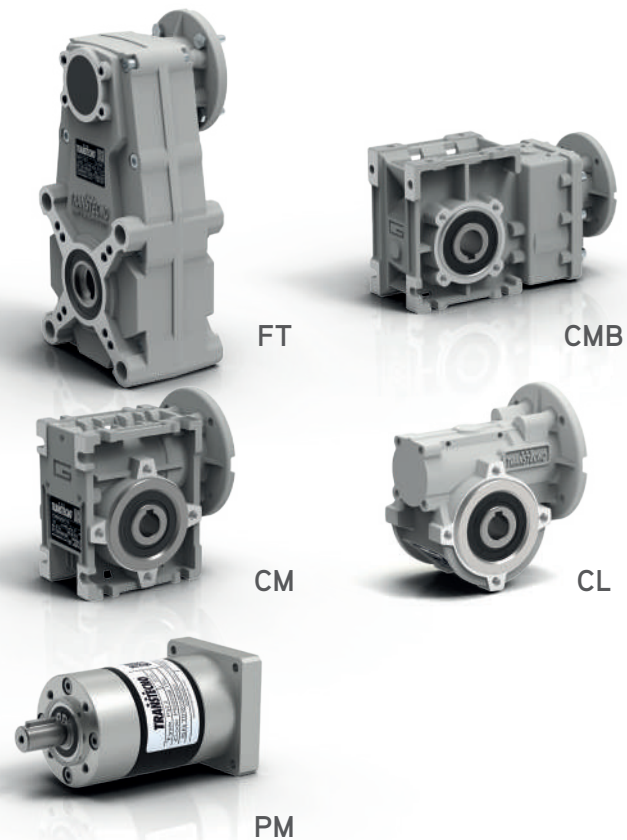


GEARMOTORS FOR BELT CONVEYORS

WORM, HELICAL BEVEL, HELICAL PARALLEL AND PLANETARY GEARBOXES COUPLEABLE WITH AC, DC, BLDC MOTORS



GEARBOXES



MOTORS



OPTIONS

- Waterproof gasket between input flange and motor
- Stainless steel hollow output shaft, screws and bolts
- Gearboxes with black anodized surface
- Encoders



WASHDOWN COVER

- Black anodized aluminium cover
- O-ring seal
- Captive screws