

TRANSTECNO[®]
the modular gearmotor



STEVE
DIMENSIONS

Motoriduttori a vite senza fine
Wormgearmotors

Caratteristiche tecniche

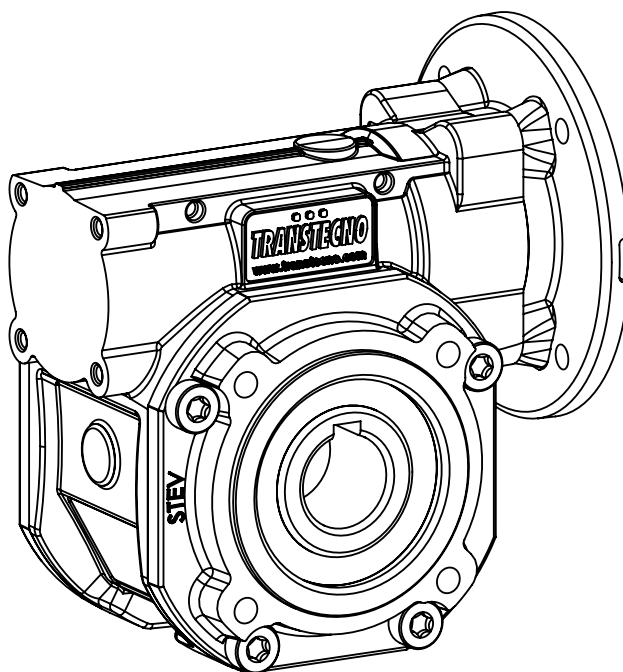
Technical features

Le caratteristiche principali dei motoriduttori CL sono:

- carcassa di forma rotonda
- dimensioni compatte
- progettati per essere intercambiabili rispetto ai principali competitors sul mercato
- flange e carcasse in alluminio
- elevata modularità: i diversi kit entrata ed uscita li rendono estremamente versatili
- accoppiabili a motori AC, DC, BLDC

The main features of CL wormgearmotors range are:

- housing with round design
- compact dimensions
- designed to be interchangeable with the competitors on the market
- die-cast aluminum housings and flanges
- high degree of modularity: wide selection of input and output kits
- can be coupled to AC, DC, BLDC motors



Taglie Disponibili / Sizes available
CL026 – CL030 – CL040 – CL050 – CL063 – CL070

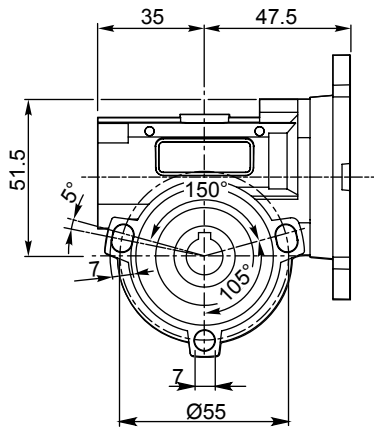
Questo documento riporta i dati dimensionali dei riduttori a vite senza fine CL-STEV, per i dati prestazionali riferirsi al catalogo Alu AC – sezione CL disponibile sul sito www.transtecno.com

This document contains only the dimension data of the wormgearboxes CL-STEV. For performances data, refer to the Alu AC catalog – CL section available on the website www.transtecno.com

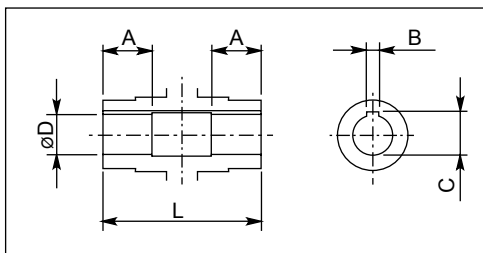
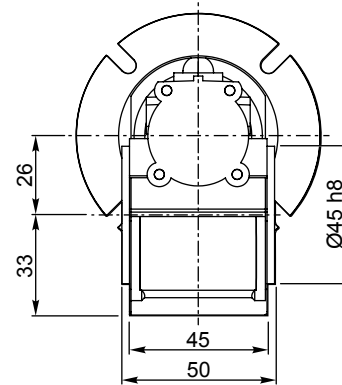
Dimensioni

Dimensions

CL 026 U



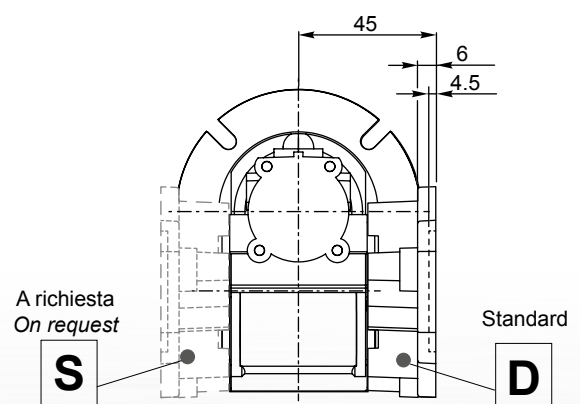
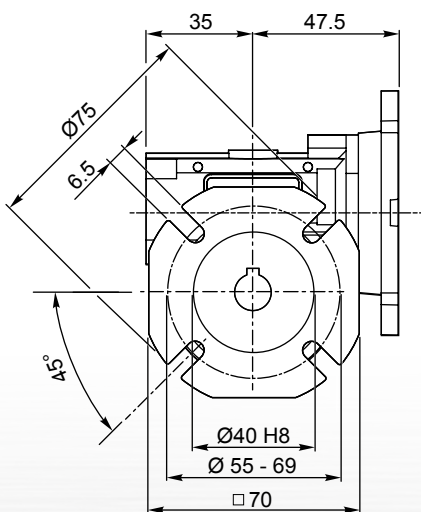
Kg
0.7



Albero lento cavo / Hollow output shaft

Grandezza Size	ØD H8	L	A	B	C
CL 026 (D11)	11	50	15	4	12.8
CL 026	12	50	15	4	13.8
CL 026 (D14)	14	50	15	5	16.2

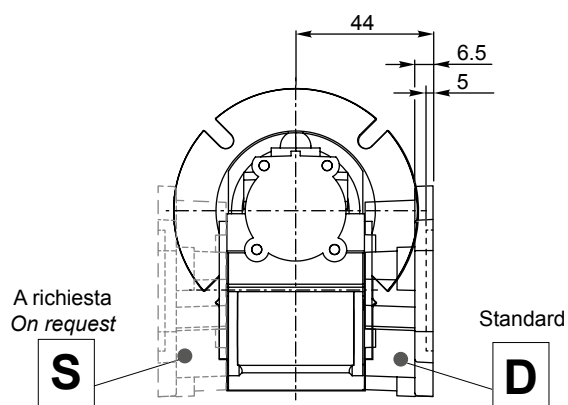
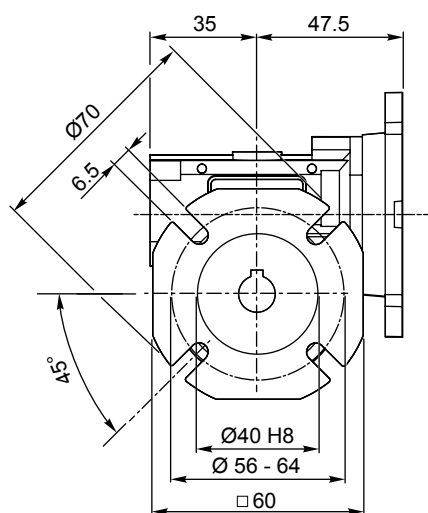
CL 026 F



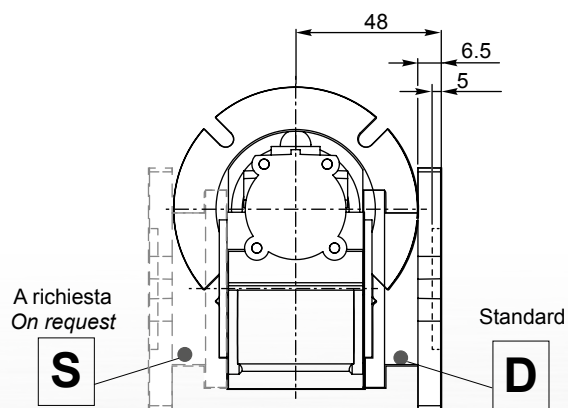
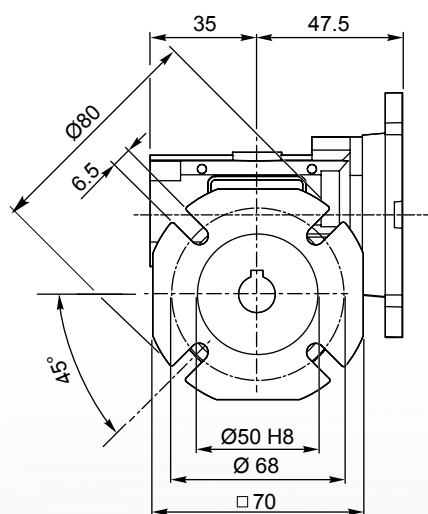
Dimensioni

Dimensions

CL 026 F28



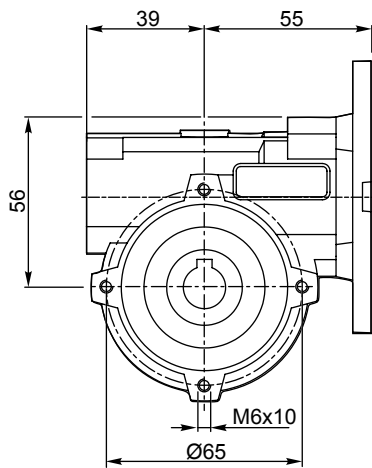
CL 026 F30



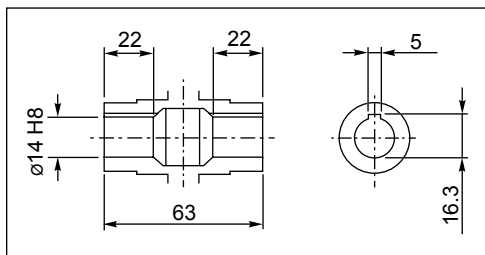
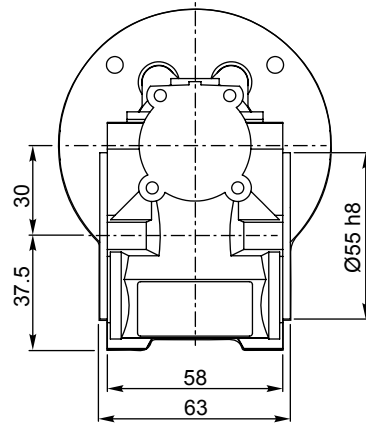
Dimensioni

Dimensions

CL 030 U

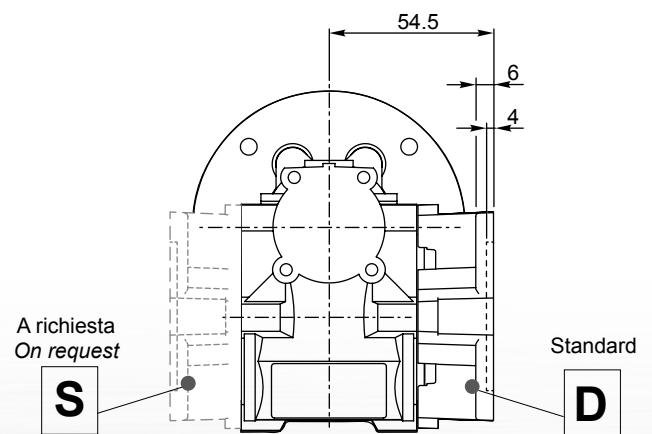
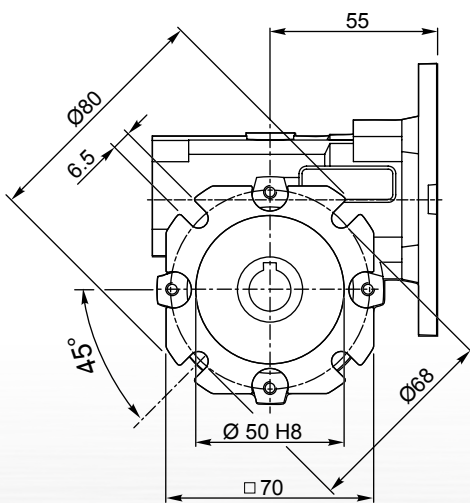


Kg
1.1



Albero lento cavo / Hollow output shaft

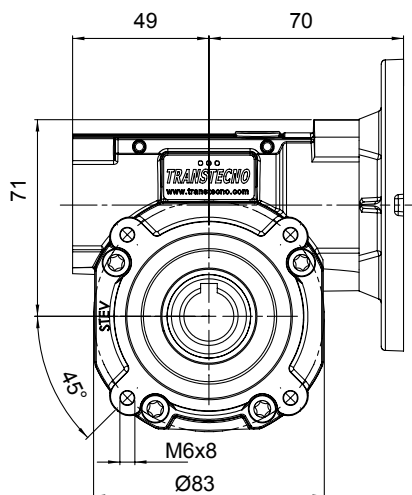
CL 030 F



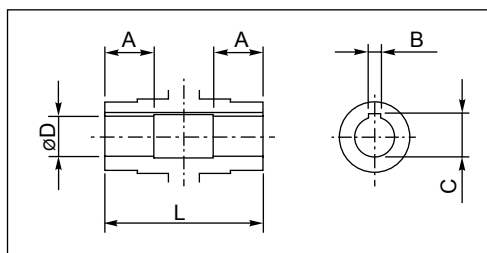
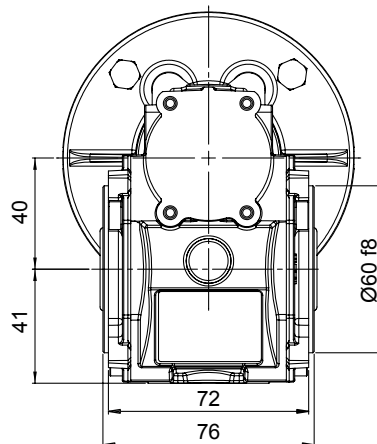
Dimensioni

Dimensions

CL 040 STEV



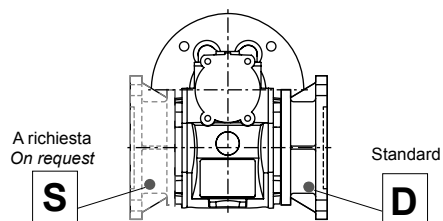
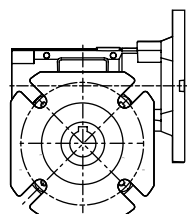
Kg
2.1



Albero lento cavo / Hollow output shaft

Grandezza Size	ØD H8	L	A	B	C
CL 040	18	78	26	6	20.8
CL 040 (D19)	19	78	26	6	21.8

CL 040 F...

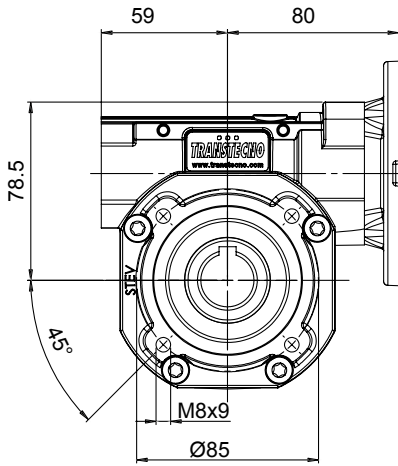


Per versione con flangia uscita contattare il Servizio Tecnico Transtecno
For output flange version please contact Transtecno Technical Service

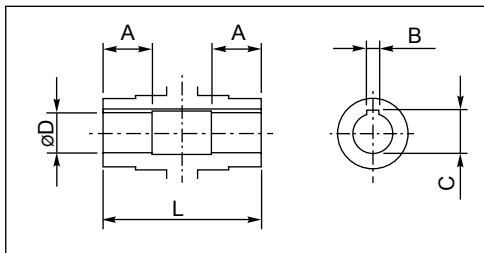
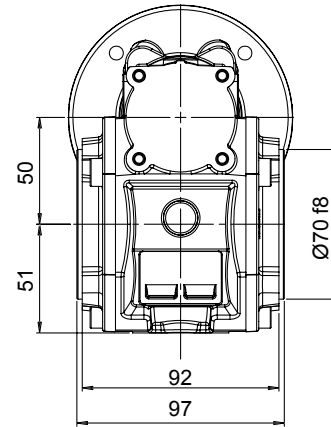
Dimensioni

Dimensions

CL 050 STEV



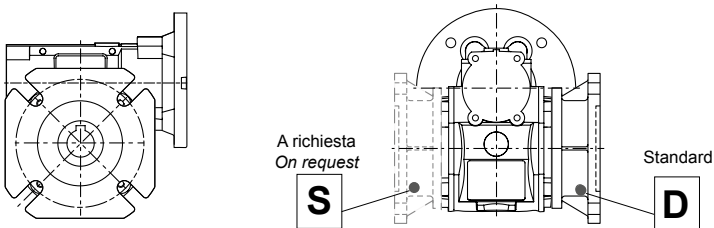
Kg
3.3



Albero lento cavo / Hollow output shaft

Grandezza Size	ØD H8	L	A	B	C
CL 050	25	92	30	8	28.3
CL 050 (D24)	24	92	30	8	27.3

CL 050 F

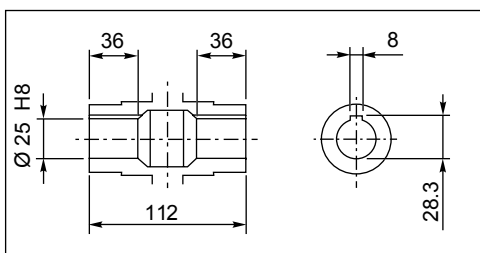
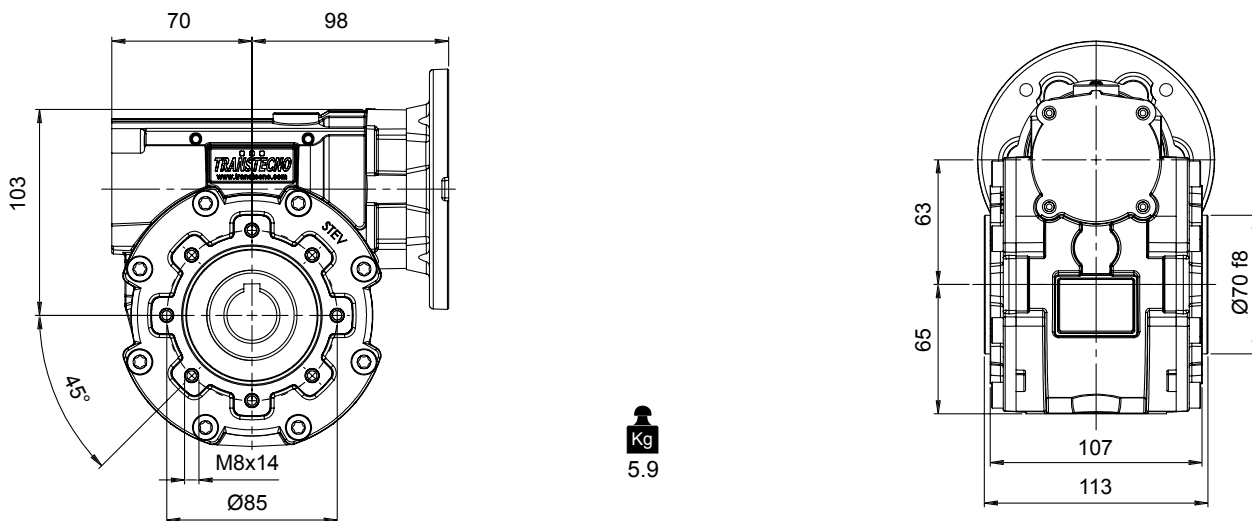


Per versione con flangia uscita contattare il Servizio Tecnico Transtecno
For output flange version please contact Transtecno Technical Service

Dimensioni

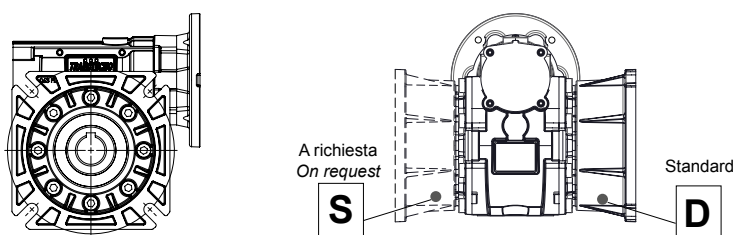
Dimensions

CL 063 STEV



Albero lento cavo / Hollow output shaft

CL 063 F

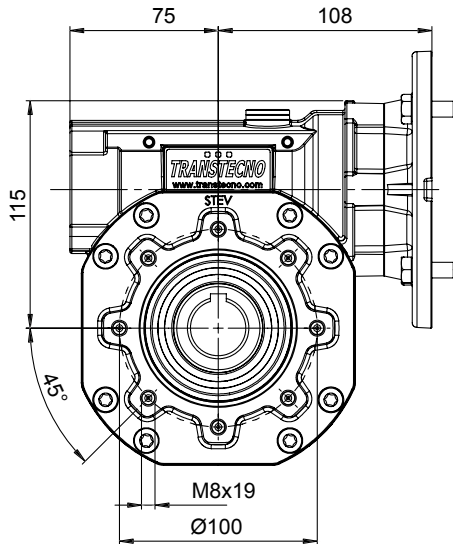


Per versione con flangia uscita contattare il Servizio Tecnico Transtecno
For output flange version please contact Transtecno Technical Service

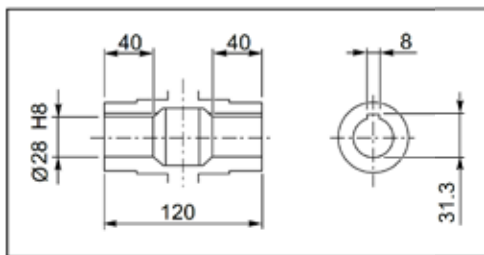
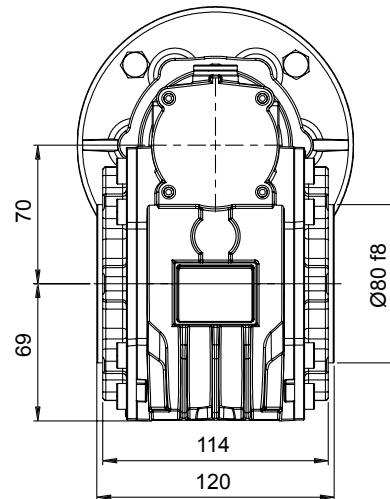
Dimensioni

Dimensions

CL 070 STEV

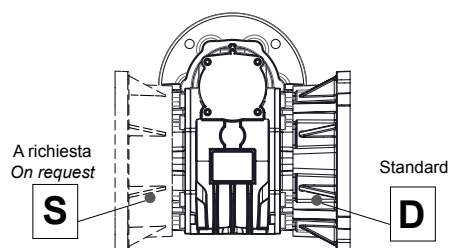
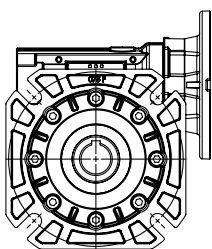


Kg
7.2



Albero lento cavo / Hollow output shaft

CL 070 F



Per versione con flangia uscita contattare il Servizio Tecnico Transtecno
For output flange version please contact Transtecno Technical Service

Note

 **TRANSTECNO SRL**
HEADQUARTERS

Company subject to the management
and coordination of INTERPUMP GROUP SPA
Via Caduti di Sabbiano, 11/D-E
40011 Anzola dell'Emilia (BO)
ITALY
T+39 051 64 25 811
F +39 051 73 49 43
sales@transtecno.com
www.transtecno.com

**TRANSTECNO**[®]
the modular gearmotor

MEMBER OF INTERPUMP GROUP




 **HANGZHOU INTERPUMP
POWER TRANSMISSIONS CO LTD**
No.4 Xiuyan Road Fengdu Industry Zone
Pingyao Town Yuhang District
Hangzhou City, Zhejiang Province
311115 – CHINA
T +86 571 86 92 02 60
info-china@transtecno.cn
www.transtecno.cn

 **TRANSTECNO IBÉRICA
THE MODULAR GEARMOTOR, S.A.**
Carrer de la Ciència, 45
08840 Viladecans (Barcelona) - SPAIN
T +34 931 598 950
info@transtecno.es
www.transtecno.es

 **TRANSTECNO B.V.**
Siliciumweg 32
3812 SX Amersfoort - NETHERLANDS
T +31(0) 33 45 19 505
info@transtecno.nl
www.transtecno.nl

 **TRANSTECNO AANDRIJFTECHNIEK B.V.**
Siliciumweg 32
3812 SX Amersfoort - NETHERLANDS
T +31 (0) 33 20 4 7 006
info@transtecnoaandrijftechniek.nl
www.transtecnoaandrijftechniek.nl

 **MA TRANSTECNO S.A.P.I. DE C.V.**
Av. Mundial # 176, Parque Industrial
JM Apodaca, Nuevo León,
C.P. 66633 - MÉXICO
T +52 8113340920
info@transtecno.com.mx
www.transtecno.com.mx


 **TRANSTECNO USA**
8 Creek Parkway,
Boothwyn PA 19061-8136 - UNITED STATES
T + 1 (610) 4970154

TRANSTECNO USA – WEST COAST BRANCH
14561 Fryelands Blvd SE
Monroe, WA 98272 - UNITED STATES
T +1 360-863-1300
usaoffice@transtecno.com
www.transtecno.com

 **TRANSTECNO CANADA**
51 B Caldari Road Unit 10
Vaughan, ON L4K 4G3 - CANADA
T +1 905 761 0762
canadaoffice@transtecno.com
www.transtecno.com

 **TRANSTECNO INDIA**
#6A, Sipcot Industrial complex, Phase-1,Elasagiri Road
Hosur – 635126 Tamilnadu - INDIA
T +91 4344 274434
M +91 81443 88800

TRANSTECNO INDIA – NORTH BRANCH
Plot No: 3 A, Sector 2, IIE, Sidcul, Pantnagar
U.S. Nagar, Uttarakhand – 263153 - INDIA
indiaoffice@transtecno.com
www.transtecno.com

 **TRANSTECNO BRAZIL**
Rua Gilberto de Zorzi, 525 Forqueta - CEP. 95115-730
CX Postal 3544 Caxias do Sul RS – BRAZIL

TRANSTECNO BRAZIL – SÃO PAULO BRANCH
R. Mafalda Barnabe Soliane, 314 – CEP. 13347-610
Indaiatuba, São Paulo - BRAZIL
T +55 19 3437 2520

TRANSTECNO BRAZIL – PORTO ALEGRE BRANCH
Rua Dr. Freire Alemão 155 / 402 - CEP. 90450-060
Auxiliadora Porto Alegre RS - BRAZIL
T +55 51 3251 5447
M +55 51 811 45 962
braziloffice@transtecno.com
www.transtecno.com.br

 **INTERPUMP ANTRIEBSTECHNIK GMBH**
Büro Stuttgart
GERMANY
T +49 (0)171 4781909
germanoffice@transtecno.com

 **SALES OFFICE OCEANIA**
Unit 5, 12 Nyholt Drive, Yatala 4207
Queensland - AUSTRALIA
T +61 07 3800 0103
M +61 04 38060997

 **UNIT 9 , 94 Boundary Rd, Sunshine West 3020
Victoria - AUSTRALIA
T +61 9312 4722
oceaniaoffice@transtecno.com
www.transtecno.com.au**