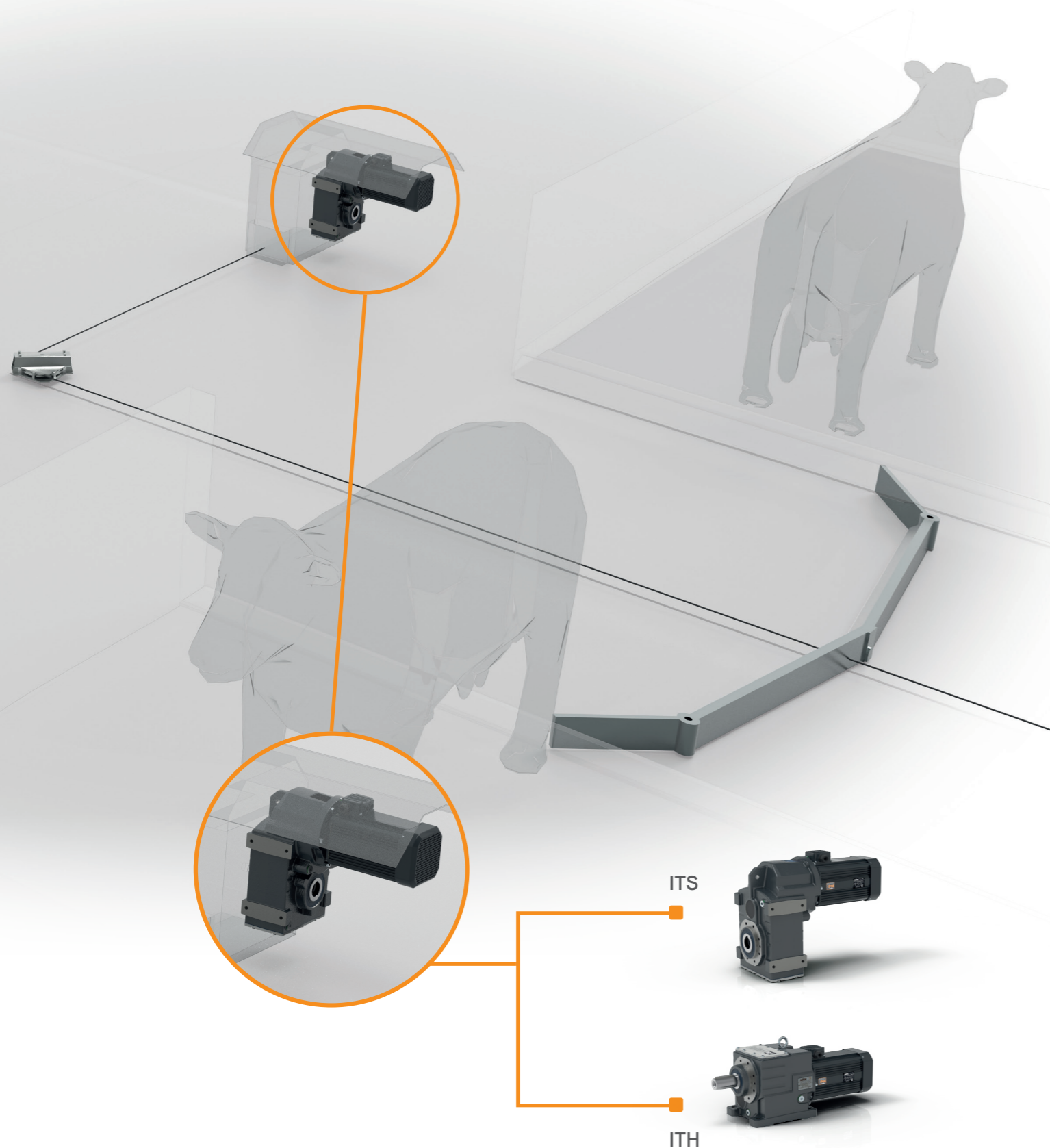


GEARMOTORS FOR MANURE SCRAPERS



ITH Helical in-line and **ITS** Helical Parallel Gearmotors



Gearbox features

- Robust cast iron housings
- Lubricated with full synthetic oil
- Flexible coupling motor connection
- Made in Italy

Motor features

- IP66 protection Standard according to IEC/EN 60529
- Casing with black anodized surface
- Inverter use
- PTO bimetal thermal protector
- CE and UL-CSA certifications
- Made in Italy

OPTIONS

- Encoders and servoventilation
- Stainless steel parts on request
- Rotary Limit Switch



ITS



ITH

