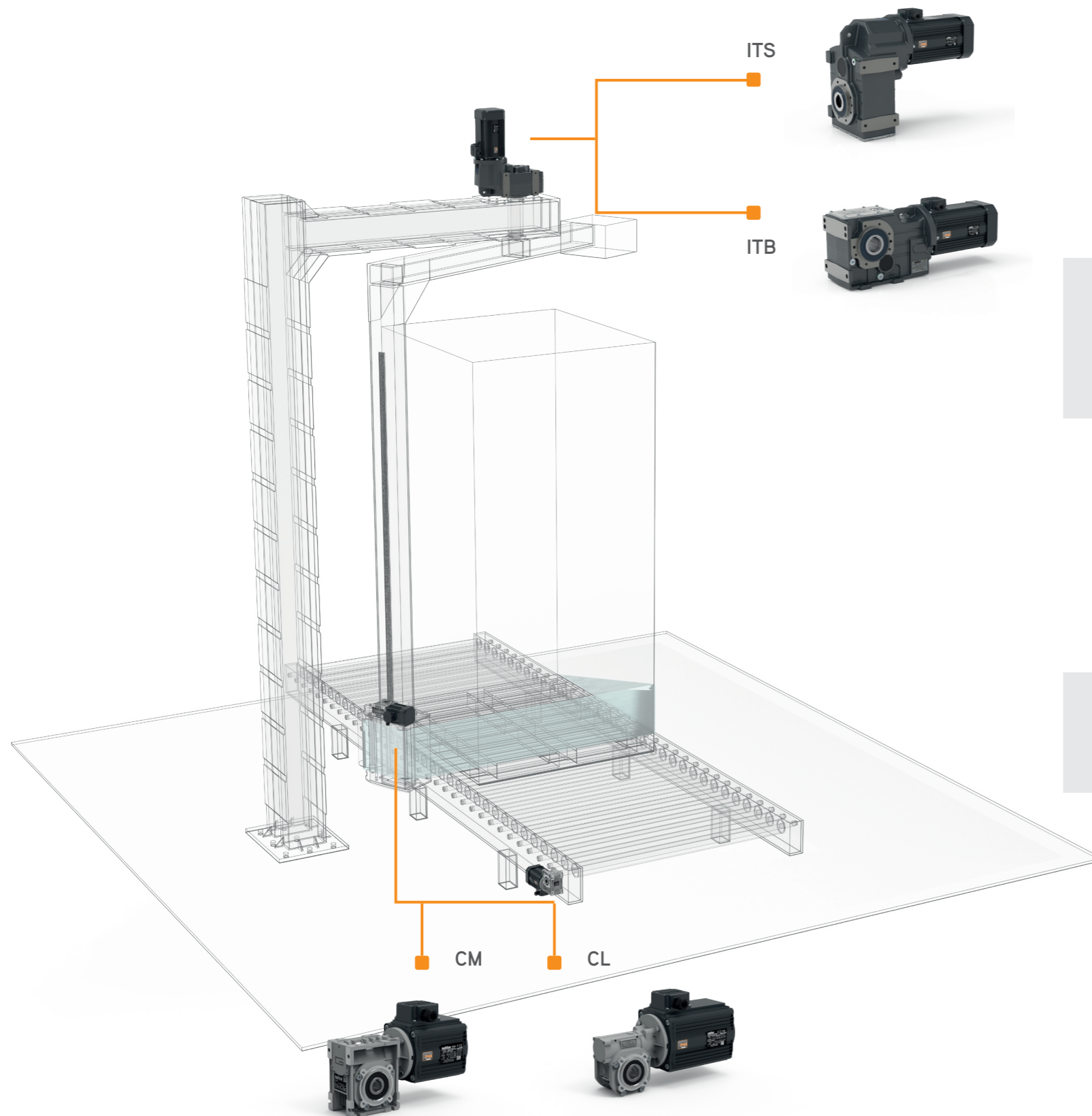


GEARMOTORS FOR WRAPPING MACHINES



ITS



ITB



CM

CL



CM and CL Wormgearmotors

Alu

- Die-cast aluminium housings
- Wide selection of input/output kits and ratios available
- Permanent, full synthetic long-life lubrication
- Maintenance free
- IP66 protection Standard on SM motors
- Black anodized surface and stainless steel output shaft on request



ITS Helical Parallel and ITB Helical Bevel Gearmotors

Iron

- Robust cast iron housings
- Lubricated with full synthetic oil
- Flexible coupling motor connection
- IP66 protection Standard on SM motors



Options available:

- Brake
- Encoder