

TRANSTECNO[®]
the modular gearmotor

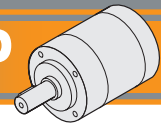
P

P



Riduttori epicicloidali Planetary gear units

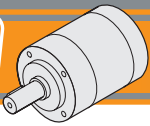




Indice	Index	Pag. Page
Caratteristiche tecniche	<i>Technical features</i>	C2
Designazione	<i>Classification</i>	C2
Versioni	<i>Versions</i>	C2
Simbologia	<i>Symbols</i>	C2
Lubrificazione	<i>Lubrication</i>	C3
Carichi radiali e assiali	<i>Radial and axial loads</i>	C3
Dati tecnici	<i>Technical data</i>	C4
Dimensioni	<i>Dimensions</i>	C5

Questa sezione annulla e sostituisce ogni precedente edizione o revisione. Qualora questa sezione non Vi sia giunta in distribuzione controllata, l'aggiornamento dei dati ivi contenuto non è assicurato. **In tal caso la versione più aggiornata è disponibile sul nostro sito internet www.transtecno.com**

*This section replaces any previous edition and revision. If you obtained this catalogue other than through controlled distribution channels, the most up to date content is not guaranteed. **In this case the latest version is available on our web site www.transtecno.com***

**P**

Riduttori epicicloidali Planetary gear units

Caratteristiche tecniche

Technical features

I riduttori epicicloidali della serie P hanno le seguenti caratteristiche principali:

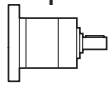
P planetary gearboxes have the following features:

- Ingresso ed uscita coassiali
- Senso di rotazione concorde ingresso/uscita
- Alte coppie in ingombri ridotti
- Adatti per servizio continuo ed intermittente

- *Coaxial arrangement of the input and output*
- *Same rotation input/output*
- *Advantageous torque with minimum space requirements*
- *Suitable for continuous, reversing and intermittent operation*

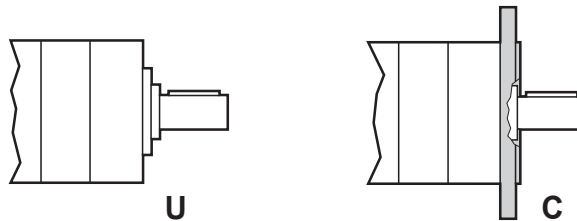
Designazione

Classification

RIDUTTORE / GEARBOX					
P	52	2	C	34.97	AS60
Tipo Type	Grandezza Size	Stadi riduttore Gearbox stages	Versione riduttore Gearbox Version	Rapporto Ratio	Flangia ingresso Input flange
	42 52 62 72 81 105 120	1 2 3	U C80 C90 C105 C120 C140 C160	Vedere tabella See tables	Vedere tabella See tables

Versioni

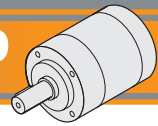
Versions



Simbologia

Symbols

N_s	Stadi / Stages	M_{n_2} [Nm]	Coppia nominale in uscita / Nominal output torque
n_1 [min ⁻¹]	Velocità in ingresso / Input speed	Rd %	Rendimento dinamico / Dynamic efficiency
n_2 [min ⁻¹]	Velocità in uscita / Output speed	A_2 [N]	Carico assiale ammissibile in uscita / Permitted output axial load
i	Rapporto di riduzione / Ratio	R_2 [N]	Carico radiale ammissibile in uscita / Permitted output radial load



Lubrificazione

Tutti i riduttori P sono forniti completi di lubrificante, pertanto possono essere installati in qualunque posizione di montaggio e non necessitano di manutenzione.

Lubrication

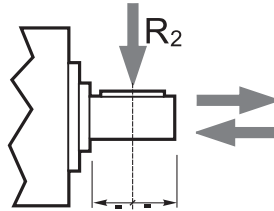
Permanent grease long-life lubrication makes it possible to use P in all mounting positions.

Temperatura ambiente di funzionamento consentita / Operating environmental temperature range

-50 / +40 °C

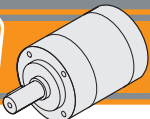
Carichi radiali e assiali

Radial and axial loads



$n_1 = 3000 \text{ min}^{-1}$

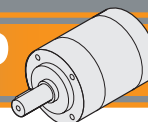
Grandezza Size	Albero uscita / Output shaft						Albero entrata / Input shaft	
	1 stadio / stage		2 stadi / stages		3 stadi / stages		1 - 2 - 3 stadi / stages	
	R_2 [N]	A_2 [N]	R_2 [N]	A_2 [N]	R_2 [N]	A_2 [N]	R_2 [N]	A_2 [N]
P42	160	50	230	80	300	110	70	40
P52	200	60	320	100	450	150	110	50
P62	240	70	360	100	520	150	120	60
P72	320	70	480	100	760	160	160	80
P81	400	80	600	120	1000	200	200	100
P105	600	120	900	180	1500	300	240	125
P120	600	120	900	180	1500	300	300	150

**P****Riduttori epicicloidali**
Planetary gear units**Dati tecnici****Technical data**

Ns	i	Mn ₂ [Nm]														
		P42		P52		P62		P72		P81		P105		P120		
		3000 rpm	1400 rpm	3000 rpm	1400 rpm	3000 rpm	1400 rpm	3000 rpm	1400 rpm	3000 rpm	1400 rpm	3000 rpm	1400 rpm	3000 rpm	1400 rpm	
1	3.70													50	64	
	4.28	3	3.9	4	5.1	8	10	14	18	20	25	35	45	—	—	
	5.18													—	—	
	6.75													50	64	
2	13.73													150	192	
	15.88													—	—	
	18.36													—	—	
	19.20													—	—	
	22.20	7.5	9.6	12	15	25	32	42	54	60	77	105	134	—	—	
	25.01													150	192	
	26.85													—	—	
	28.93														—	—
	34.97														—	—
	45.56														150	192
3	50.89													300	384	
	58.85													—	—	
	68.06													—	—	
	71.16													—	—	
	78.71													—	—	
	92.70													300	384	
	95.17													—	—	
	99.50													—	—	
	107.20													—	—	
	115.07	15	19	25	32	50	64	84	107	120	154	195	250	—	—	
	123.97													—	—	
	129.62													—	—	
	139.13													—	—	
	149.90													—	—	
	168.84													300	384	
	181.24													—	—	
195.26													—	—		
236.09													—	—		
307.54													300	384		

Rapporti preferenziali per le taglie P42, P52, P62 e P81.
Preferred ratios for sizes P42, P52, P62 and P81.

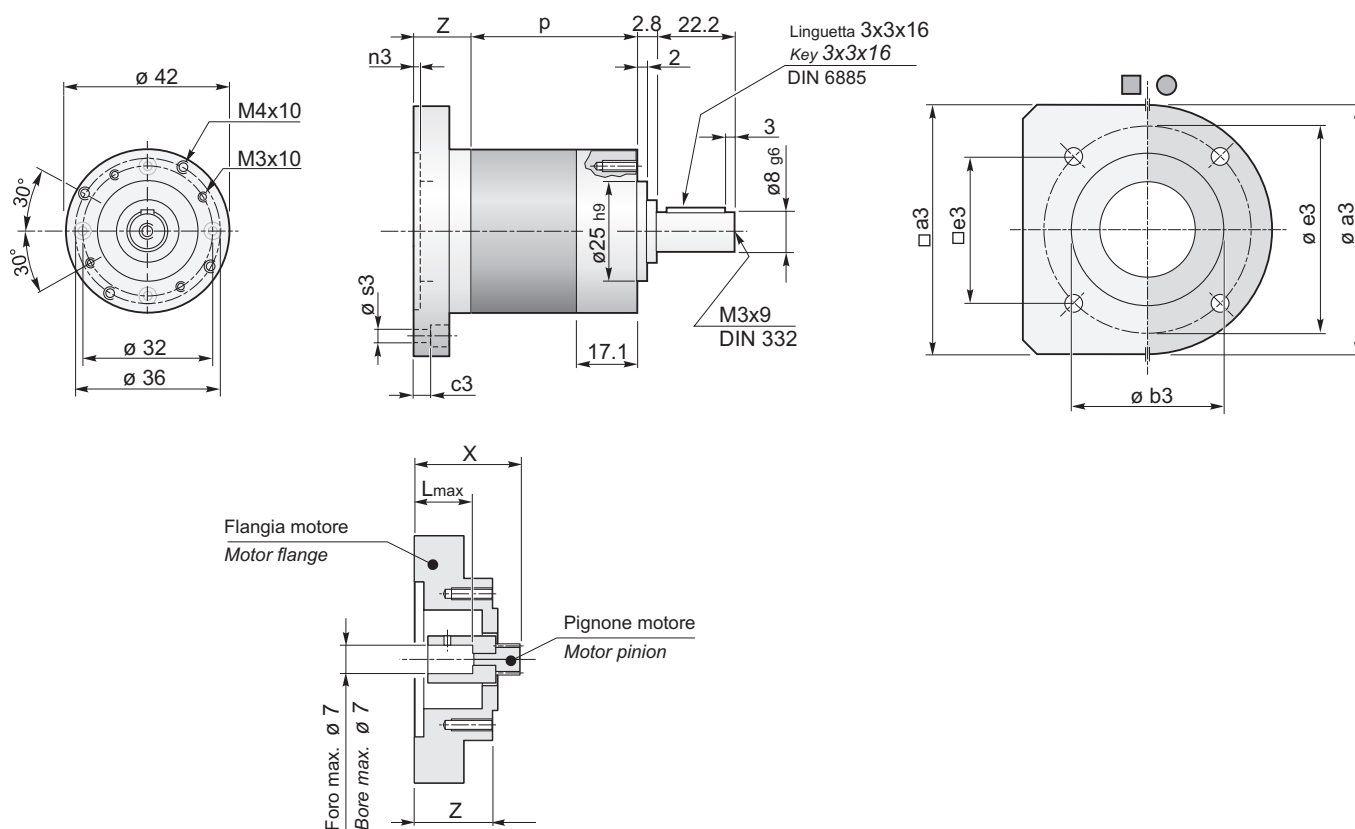
Disponibili 4 stadi con rapporti fino a 2076 / Available 4 stages with ratio up to 2076



Dimensioni

Dimensions

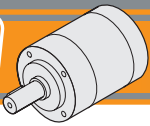
P42 U



	Lunghezza riduttore Gearbox length		Peso Weight [kg]
	P		
P42...	1	39	0.4
	2	52	0.5
	3	65	0.6

	Flange entrata / Input flanges									
	Flangia Flange	a3	b3	c3	e3	n3	s3	Z	L max	X
P42	AS05	□ 42	22	17	□ 31	3	4 - Ø 3.5	32	25	42.7
	AS11	□ 56	38.1	/	□ 47.14	3	4 - M4	27	21	37.5
	AS32	Ø 42	22	13	Ø 32	3	4 - Ø 3.5	21	15	31.5
	AS33	Ø 42	16	16	Ø 25.5	3	4 - Ø 3.5	21	15	31.5
	AS47	Ø 64	28	5	Ø 50	3	3 - Ø 4.5	26.5	25	37
	AS58	□ 52	36	/	□ 41	2	4 - M4	27	21	37.5
	AS63	Ø 44	16	24	Ø 22	2	6 - Ø 3.3	31	25	39
	AS70	Ø 80	50	8.2	Ø 65	3	4 - Ø 5.5	26	20	36.5
	AS117	□ 56	22	3	Ø 40	3	4 - Ø 5.5	19	13	29.7
				/	□ 47		4 - M4			
	AS130	Ø 52	25	15	Ø 40	3	4 - Ø 5.5	21	15	31.5
	AS134	Ø 77	50	8.2	Ø 65	3	4 - Ø 5.5	21	15	31.5
				/	Ø 65		4 - M5			
AS213	□ 60	36	/	□ 50	2.5	4 - M4	28.9	23	39.4	

Preferenziali / Preferred



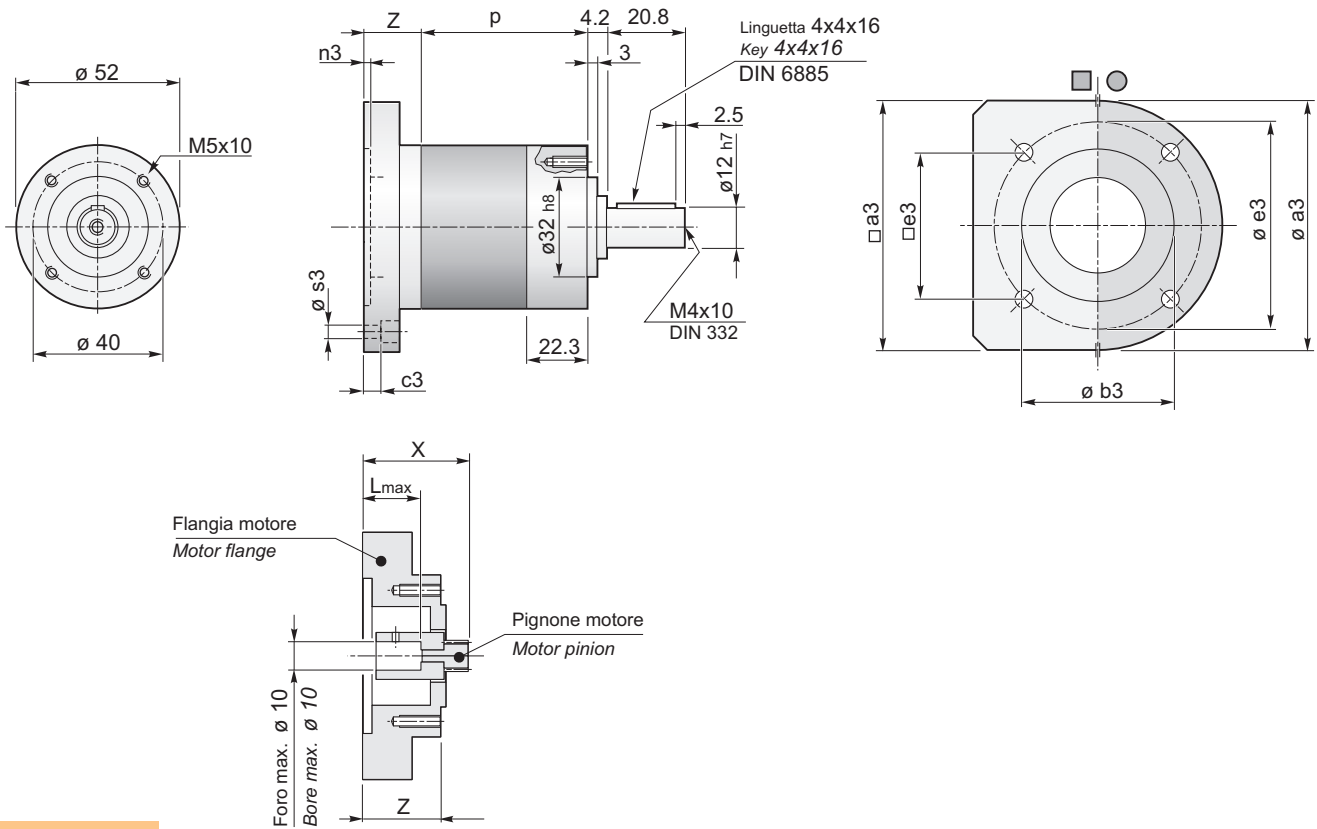
P

Riduttori epicicloidali Planetary gear units

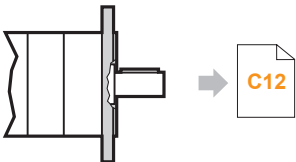
Dimensioni

Dimensions

P52 U



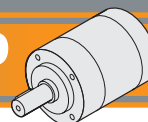
P52 C..



		Lunghezza riduttore Gearbox length	Peso Weight [kg]
		P	
P52...	1	46	0.7
	2	60	0.9
	3	74	1.1

P52	Flange entrata / Input flanges										
	Flangia Flange	IEC	a3	b3	c3	e3	n3	s3	Z	L max	X
	AS09	\	□ 60	36	/	□ 50	2	4 - M4	27	20.6	37.5
	AS23	\	Ø 60	26	17.5	Ø 39	3	4 - Ø 4.5	26.5	20	37
	AS36	\	Ø 60	28	15	Ø 42	3	4 - Ø 5.5	21	15	31.5
	AS38	\	Ø 65	32	23	Ø 46	3	4 - Ø 4.5	29	22.5	39.5
	AS50	\	Ø 79	45	14.5	Ø 65.5	3.5	4 - Ø 5.5	32	24	42.5
	AS51	\	Ø 68	28	21.5	Ø 50	3	3 - Ø 4.5	31.5	24	42
	AS60	56B14	Ø 80	50	10.2	Ø 65	3	4 - Ø 5.5	28	20	38.5
	AS68	\	Ø 52	22	13	Ø 30	3	4 - Ø 4.5	28	20	38.5
	AS86	\	Ø 52	30	/	Ø 46	3	4 - M4	33.5	25	44
	AS109	\	Ø 80	55	10	Ø 65	3	4 - Ø 6.5	24	16	34.5
	AS115	\	Ø 52	25	17.5	Ø 40	3	4 - Ø 5.5	26.5	20	37
	AS140	\	Ø 80	50	10.2	Ø 65	3	4 - Ø 5.5	28	20	38.5

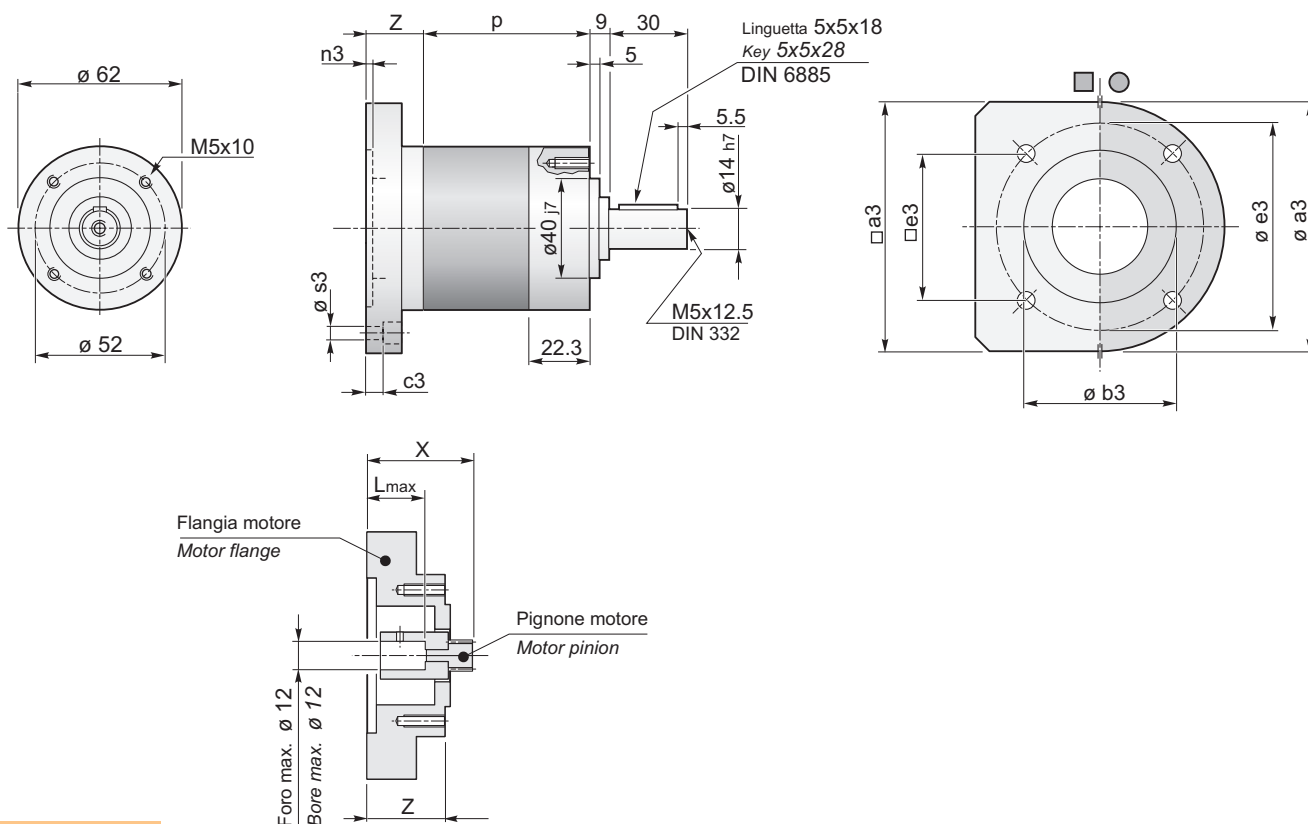
Preferenziali / Preferred



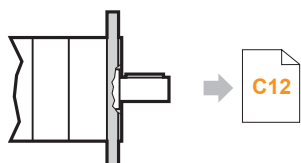
Dimensioni

Dimensions

P62 U



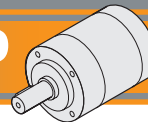
P62 C..



		Lunghezza riduttore Gearbox length	Peso Weight [kg]
		P	
P62...	1	46	0.8
	2	62	1.2
	3	78	1.6

P62	Flange entrata / Input flanges										
	Flangia Flange	IEC	a3	b3	c3	e3	n3	s3	Z	L max	X
	AS08	\	□ 60	50	/	□ 49.5	4	4 - M4	37	30	49.8
	AS12	\	□ 84.5	73.02	/	□ 69.6	2	4 - M5	40	30	52.8
	AS15	\	□ 58	38.1	/	□ 47.14	2	4 - M4	30	20.6	42.8
	AS61	63B14	Ø 90	60	7	Ø 75	3	4 - Ø 5.5	30	23	42.8
	AS244	56B14	Ø 80	50	5	Ø 65	3.5	4 - Ø 5.5	28	20	40.8

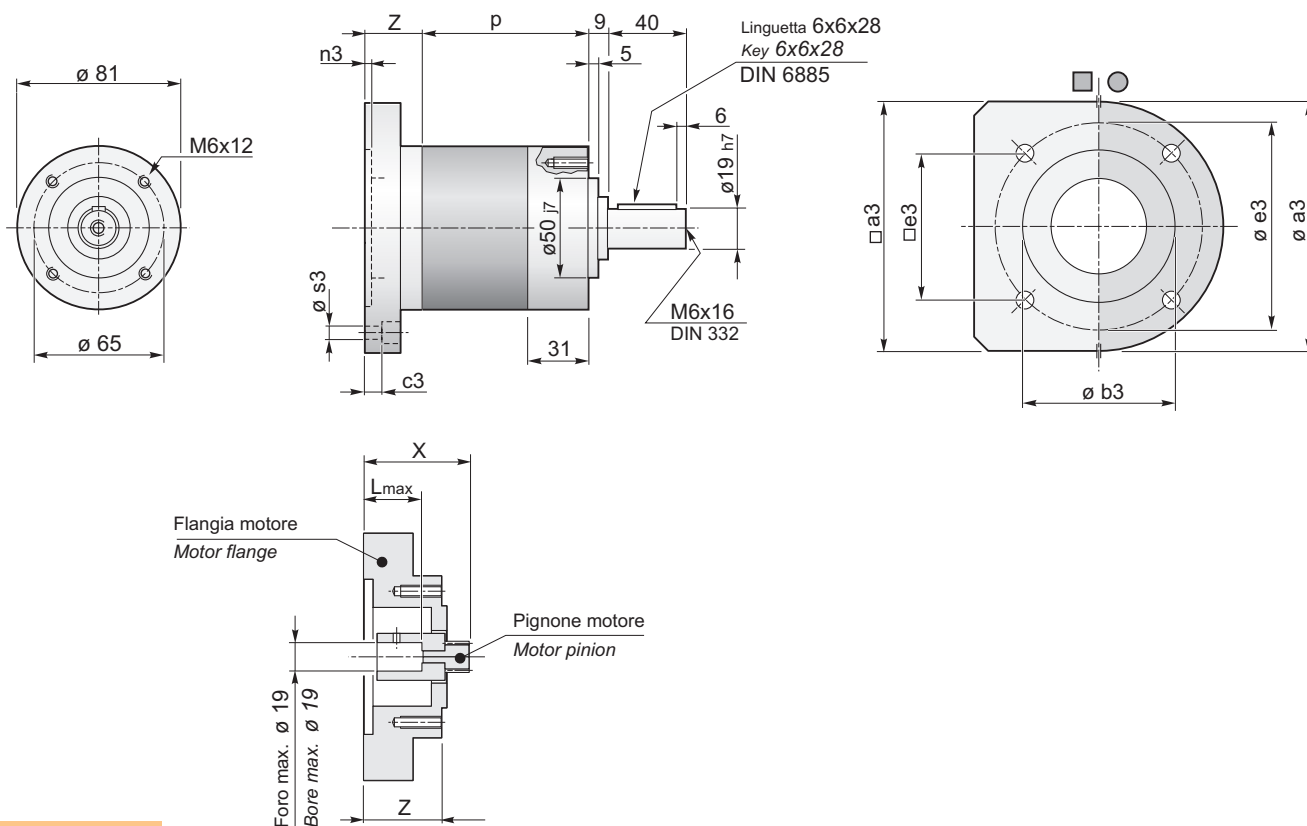
Preferenziali / Preferred



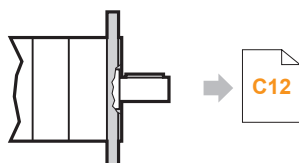
Dimensioni

Dimensions

P81 U



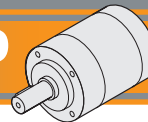
P81 C..



		Lunghezza riduttore Gearbox length	Peso Weight [kg]
		P	
P81...	1	59	1.8
	2	81	2.5
	3	103	3.2

P81	Flange entrata / Input flanges										
	Flangia Flange	IEC	a3	b3	c3	e3	n3	s3	Z	L max	X
	AS04	\	□ 100	95	25	∅ 115	3.5	4 - ∅ 9	43	30	59.3
	AS12B	\	□ 85	73.02	—	□ 69.6	2	4 - M5	43	30	59.3
	AS18	\	∅ 114	80	26	∅ 100	4	4 - ∅ 6.5	53	40	69.3
	AS30	\	∅ 80	50	35.5	∅ 70	3.5	4 - ∅ 5.5	42.5	28	58.8
	AS40	\	□ 80	70	26.5	∅ 90	4	4 - ∅ 6.5	52.5	40	68.8
	AS73	\	□ 110	55.524	49.8	□ 88.9	2	4 - ∅ 8.5	67.8	55.63	84.1
	AS92	\	□ 85	35	—	□ 69.6	10.5	4 - M5	53	40.2	69.3
	AS248	56B14	∅ 80	50	9	∅ 65	3.5	4 - ∅ 5.5	35	20	51.3
	AS249	63B14	∅ 90	60	5	∅ 75	3.5	4 - ∅ 5.5	35	23	51.3
	AS254	71B14	∅ 105	70	6	∅ 85	4	4 - ∅ 6.5	42	30	58.3
	AS280	80B14	∅ 120	80	10	∅ 100	4	4 - ∅ 6.5	52	40	68.3

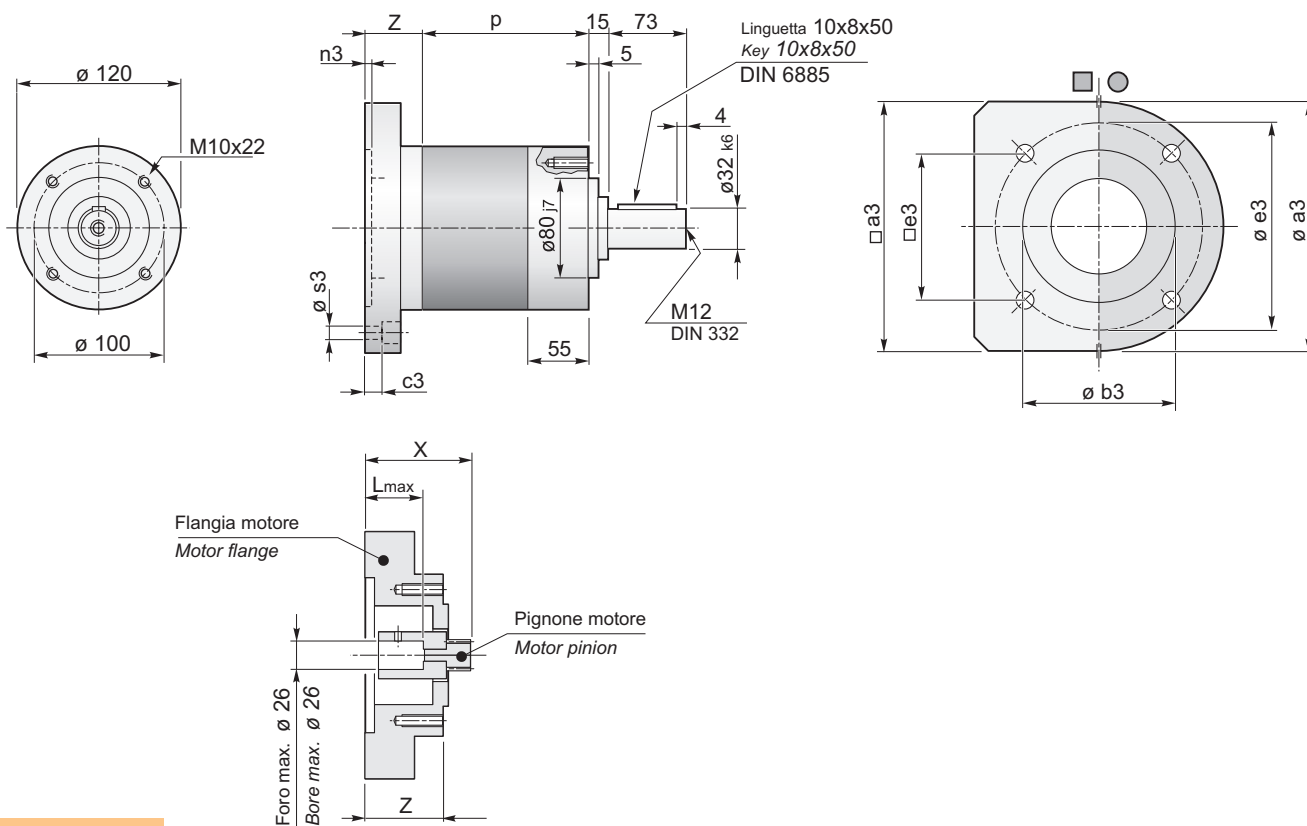
Preferenziali / Preferred



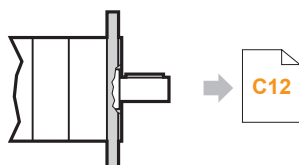
Dimensioni

Dimensions

P120 U

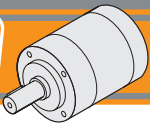
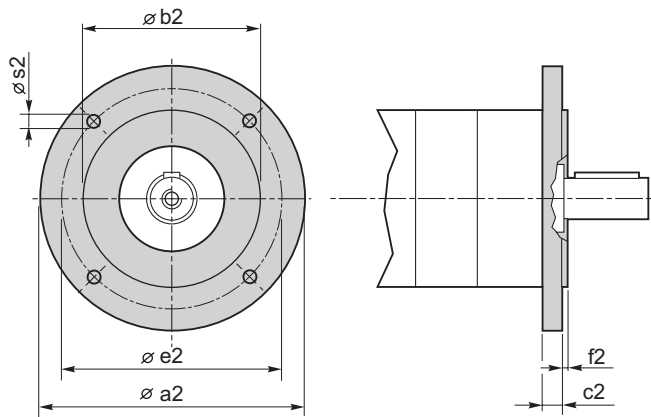


P120 C..



		Lunghezza riduttore Gearbox length	Peso Weight [kg]
		P	
P120...	1	89.7	5.6
	2	123.9	8.0
	3	158.1	10.4

P120	Flange entrata / Input flanges										
	Flangia Flange	IEC	a3	b3	c3	e3	n3	s3	Z	L max	X
	AS255	56B14	Ø 120	50	15	Ø 65	3.5	4 - Ø 5.5	41.7	20	60.2
	AS256	63B14	Ø 120	60	8.3	Ø 75	3.5	4 - Ø 5.5	41.7	23	63.2
	AS257	71B14	Ø 120	70	8.3	Ø 85	4	4 - Ø 6.5	43.8	30	70.2
	AS282	80B14	Ø 120	80	13.3	Ø 100	4	4 - Ø 6.5	53.8	40	80.2
	AS283	90B14	Ø 140	95	23.3	Ø 115	4	4 - Ø 8.5	63.8	50	90.2

**P****Riduttori epicicloidali**
Planetary gear units**Dimensioni****Dimensions****P.. C..****Flange uscita / Output flanges**

P	a2	b2	c2	e2	f2	s2	Flangia Flange
52	80	50 j7	9	65	2.5	M5	C80
	90	60 j7	9	75	2.5	5.5	C90
	105	70 j7	9	85	2.5	6.5	C105
	120	80 j7	9	100	3.0	6.5	C120
62	80	50 j7	9	65	2.5	M5	C80
	90	60 j7	9	75	2.5	5.5	C90
	105	70 j7	9	85	2.5	6.5	C105
	120	80 j7	9	100	3.0	6.5	C120
72	80	50 j7	9	65	2.5	M5	C80
	90	60 j7	9	75	2.5	M5	C90
	105	70 j7	9	85	2.5	6.5	C105
	120	80 j7	9	100	3.0	6.5	C120
81	90	60 j7	9	75	2.5	M5	C90
	105	70 j7	9	85	2.5	M6	C105
	120	80 j7	9	100	3.0	6.5	C120
105	120	80 j7	12	100	3	M6	C120
	140	95 j7	12	115	3.5	M8	C140
	160	110 j7	12	130	3.5	M8	C160
120	140	95 j7	15	115	3	M8	C140
	160	110 j7	15	130	3.5	M8	C160



MA TRANSTECNO S.A.P.I. DE C.V.
 Av. Mundial # 176, Parque Industrial
 JM Apodaca, Nuevo León,
 C.P. 66600
 MÉXICO
 T +52 8113340920
 info@transtecno.com.mx
 www.transtecno.com.mx



TRANSTECNO SRL
 Via Caduti di Sabbiano, 11/D-E
 40011 Anzola dell'Emilia (BO)
 ITALY
 T+39 051 64 25 811
 F +39 051 73 49 43
 sales@transtecno.com
 www.transtecno.com



HANGZHOU TRANSTECNO POWER TRANSMISSIONS CO LTD
 Changlian Road, Fengdu Industry zone,
 Pingyao Town Yuhang Area,
 Hangzhou, 311115 - CHINA
 T +86 571 86 92 02 60
 F +86 571 86 92 18 10
 info-china@transtecno.com
 www.transtecno.cn



TRANSTECNO U.S.A. LLC
 5440 S.W. 156th Place Miami,
 FL 33185 - USA
 Tel: +1 (305) 220-4423
 Fax: +1 (305) 220-5945
 usaoffice@transtecno.com



TRANSTECNO B.V.
 De Stuwdam, 43
 3815 KM Amersfoort - NETHERLANDS
 Tel: +31(0) 33 45 19 505
 Fax: +31(0) 33 45 19 506
 info@transtecno.nl
 www.transtecno.nl



SALES OFFICE GUANGZHOU
 Room 401A, LeTian Building, No.188 TangAn Road,
 Tianhe District, Guangzhou City, 510665 - CHINA
 Tel: +86 571 86920260-826
 Fax: +86 013185001627
 guangzhouoffice@transtecno.com



SALES OFFICE BRAZIL
 Rua Dr. Freire Alemão 155 / 402 - CEP. 90450-060
 Auxiliadora Porto Alegre RS - BRAZIL
 Tel: +55 51 3251 5447
 Fax: +55 51 3251 5447
 Mobile: +55 51 811 45 962
 braziloffice@transtecno.com
 www.transtecno.com.br



**TRANSTECNO IBÉRICA
 THE MODULAR GEARMOTOR, S.A.**
 C/Enginy, 2 Nave 6 - 08850 Gavà (Barcelona) - SPAIN
 Tel: +34 931 598 950
 info@transtecno.es
 www.transtecno.es



SALES OFFICE INDIA
 A/10, Anagha, S.N. Road, Mulund (W) Mumbai
 400080 - INDIA
 Tel: +91 9820614698
 Fax-Italy: +39 051 733 904
 indiaoffice@transtecno.com



SALES OFFICE FRANCE
 12 Impasse des Mûriers
 38300 Ruy - FRANCE
 Tel: +33 (0) 6 85 12 09 87
 Fax-Italy: +39 051 733 904
 franceoffice@transtecno.com
 www.transtecno.fr



SALES OFFICE SOUTH KOREA
 D-304 Songdo BRC Smart Valley 30, Songdomirae-ro,
 Yeonsu-gu, Incheon, 406-840 - SOUTH KOREA
 Tel: +82 70 8288 2107
 Fax: +82 32 815 2107
 Mobile: +82 10 5094 2107
 koreaoffice@transtecno.com



SALES OFFICE OCEANIA
 44 Northview drive, Sunshine west 3020
 Victoria - AUSTRALIA
 Tel: +61 03 9312 4722
 Fax: +61 03 9312 4714
 Mobile: +61 0438 060 997
 oceaniaoffice@transtecno.com
 www.transtecno.com.au