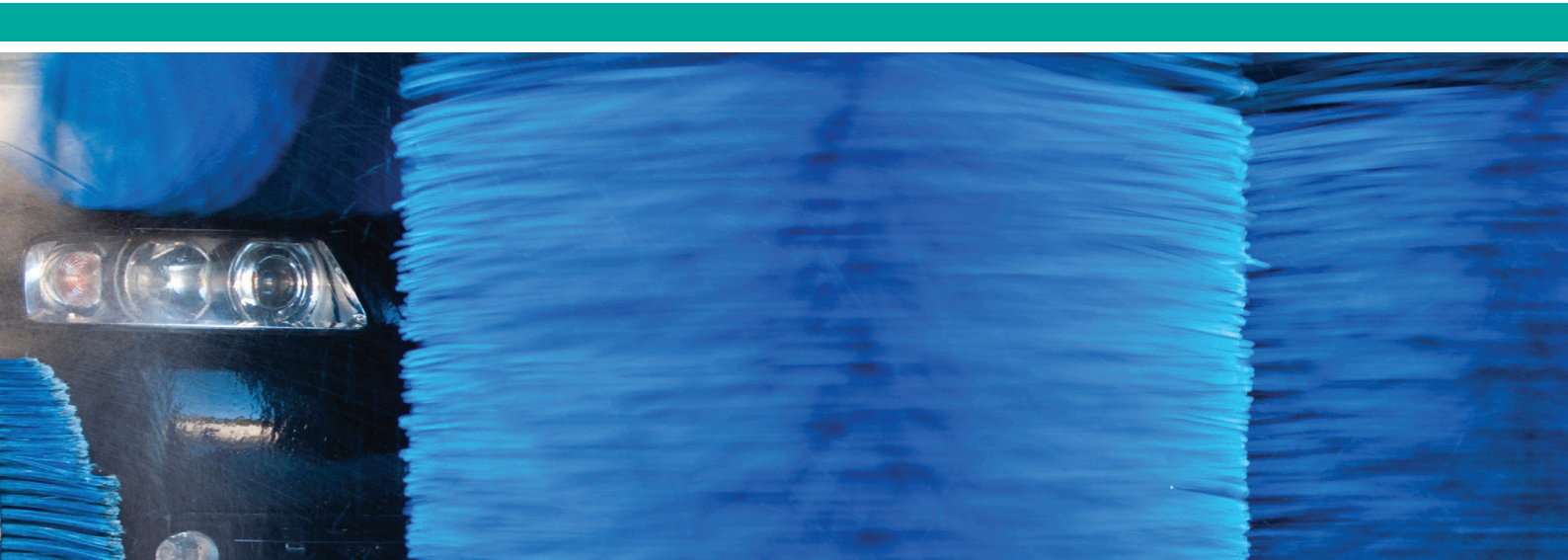


TRANSTECNO[®]
the modular gearmotor

Car-Wash Tecno
The gearmotors for car wash equipment

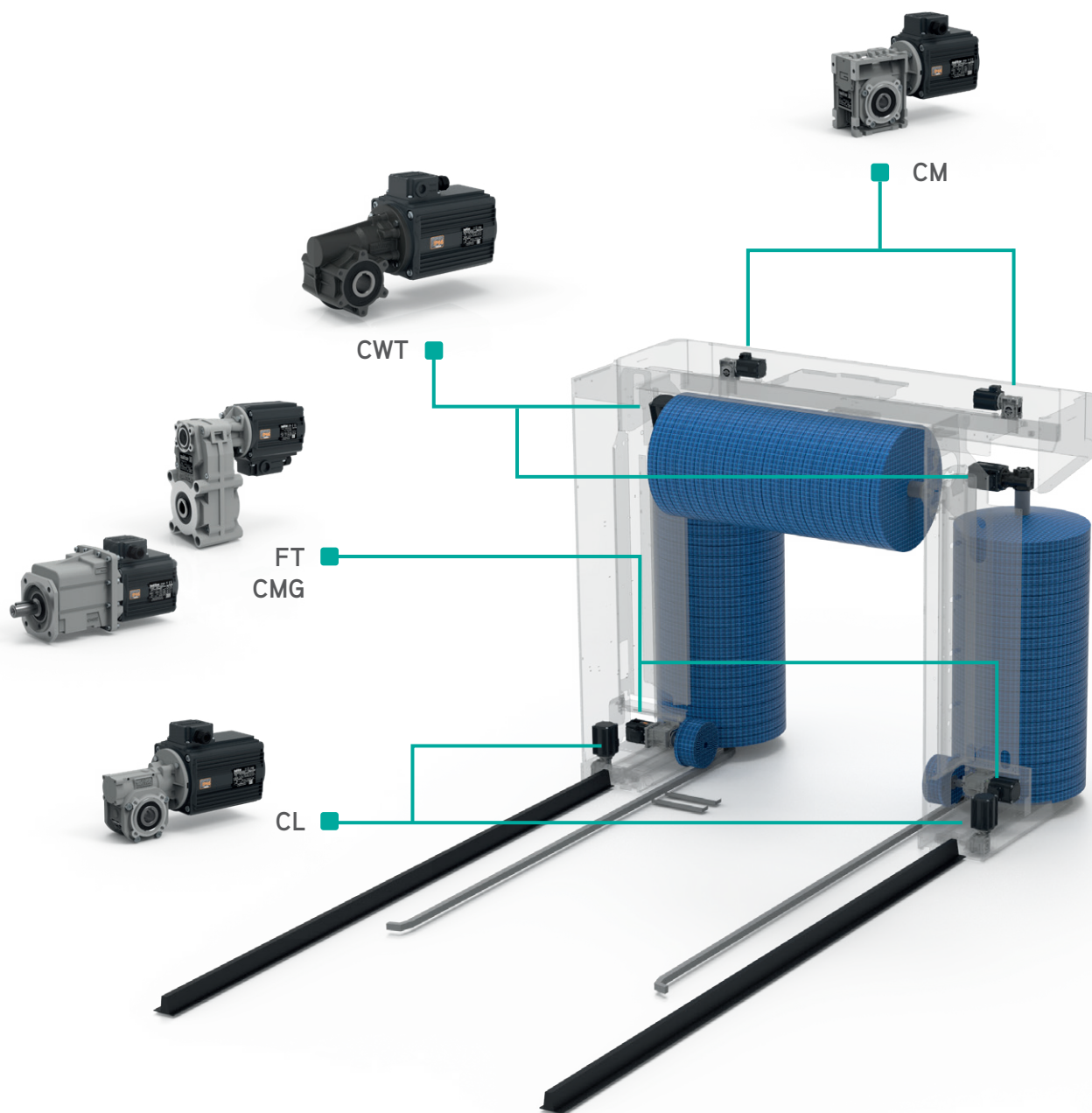


CAR WASH EQUIPMENT SOLUTIONS



CAR WASH GANTRY

Applications

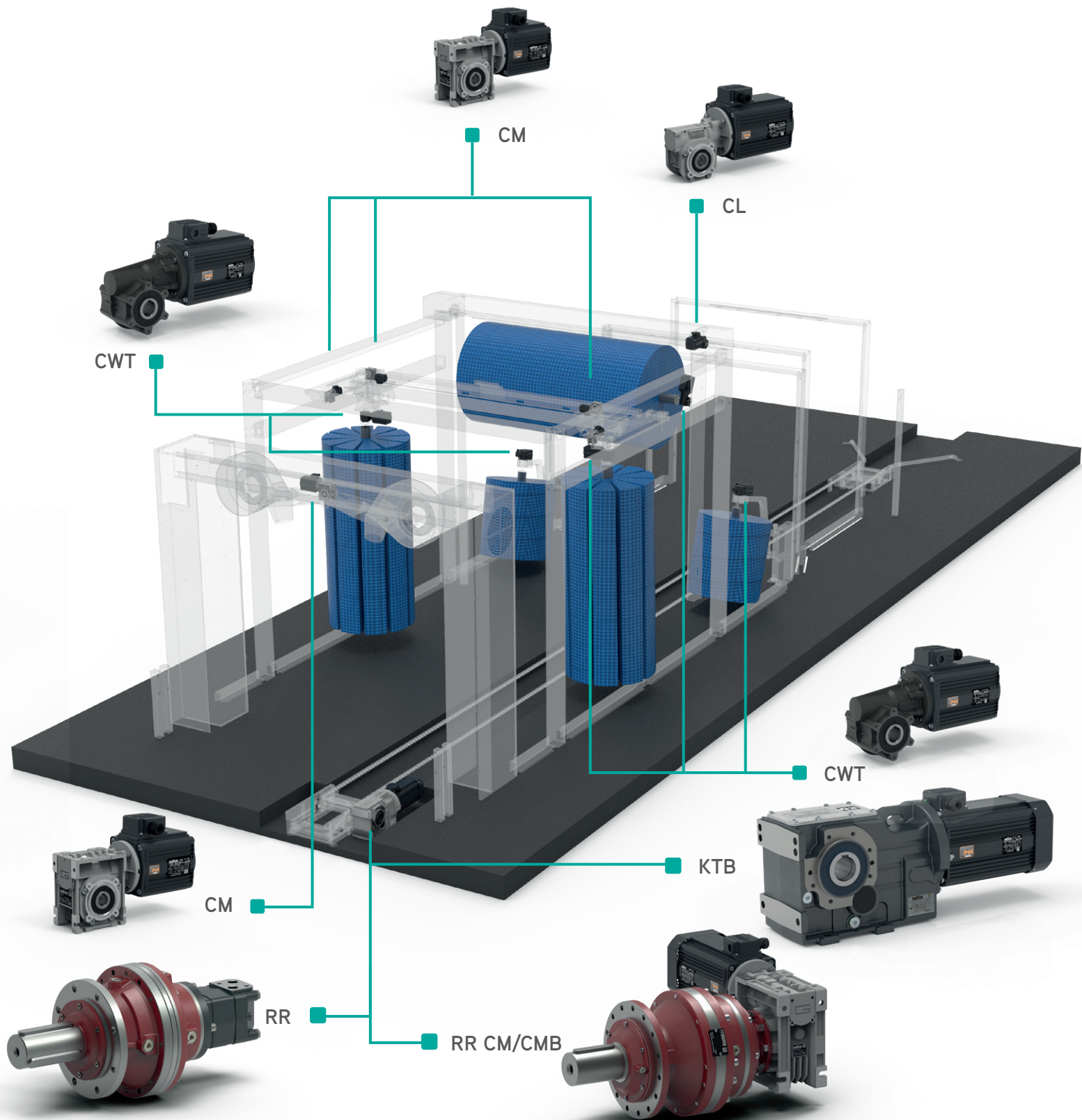


Car-Wash Tecno

The gearmotors for car wash equipment

CAR WASH TUNNEL

Applications



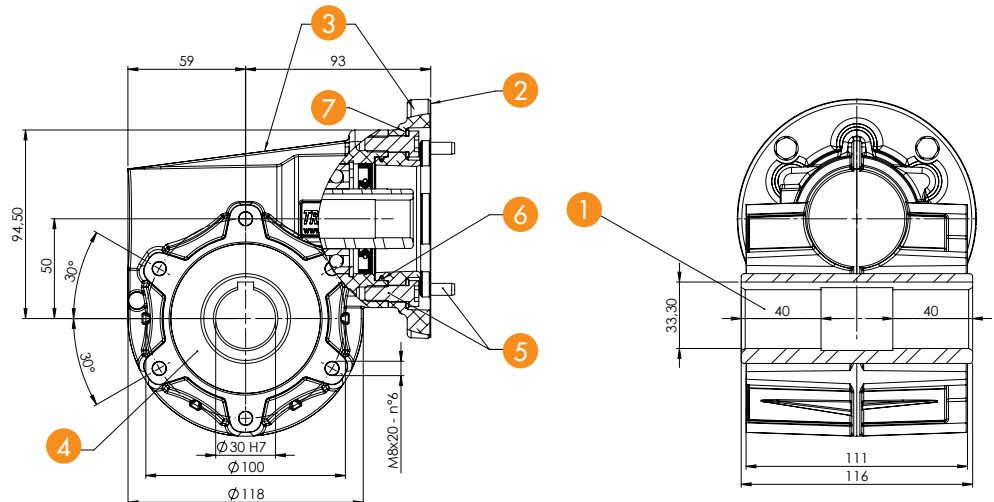
ROTARY BRUSHES GEARMOTORS

CWT050 Wormgearmotors



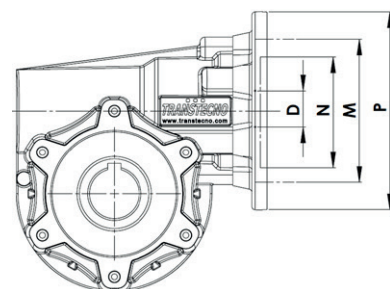
- Robust output, compact size
- Wide selection of input kits
- Multitude of ratios available
- Permanent, full synthetic long-life lubrication
- IP66 protection Standard on SM motors
- Black anodized surface on request

Technical features



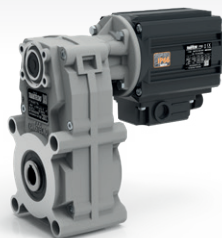
- | | |
|---|--|
| <ol style="list-style-type: none"> 1) SUS304 Stainless steel hollow output shaft 2) Waterproof gasket between input flange and motor 3) Sandblasted, anticorrosive die-cast aluminum housing and input flanges (EN44300) | <ol style="list-style-type: none"> 4) Double lipped output oil seals come standard (cassette seals available on request) 5) Stainless steel screws 6) O-ring(s) 7) Copper spacer |
|---|--|

IEC	N	M	P	D	
63B5	95	115	140	11	On request
71B14	70	85	105	14	On request
80B14	80	100	120	19	Standard



WHEEL BRUSHES GEARMOTORS

FT Helical parallel gearmotors



CMG Helical in-line gearmotors



GEARMOTORS FOR BRUSH SHIFTING, GANTRY MOVEMENT AND FANS

CM - CL Wormgearmotors



- Die-cast aluminium housings
- Wide selection of input/output kits and ratios available
- Ground, hardened helical gears on CMG line
- Permanent, full synthetic long-life lubrication
- Maintenance free
- IP66 protection Standard on SM motors
- Black anodized surface and stainless steel output shaft on request

CHAIN PULLER GEARMOTORS

ITB Helical bevel gearmotors



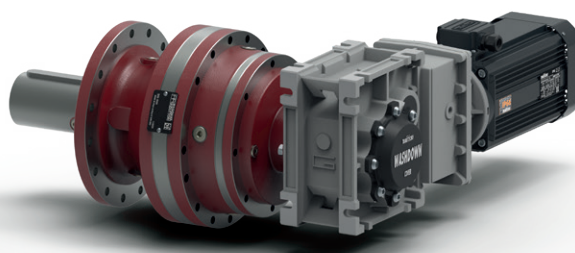
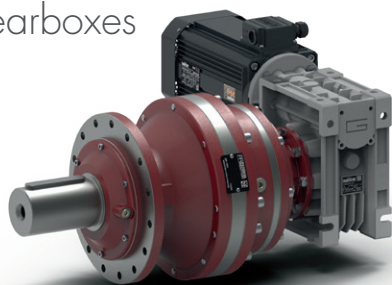
RR Gearbox 2000 Series Planetary with Hydraulic Motor



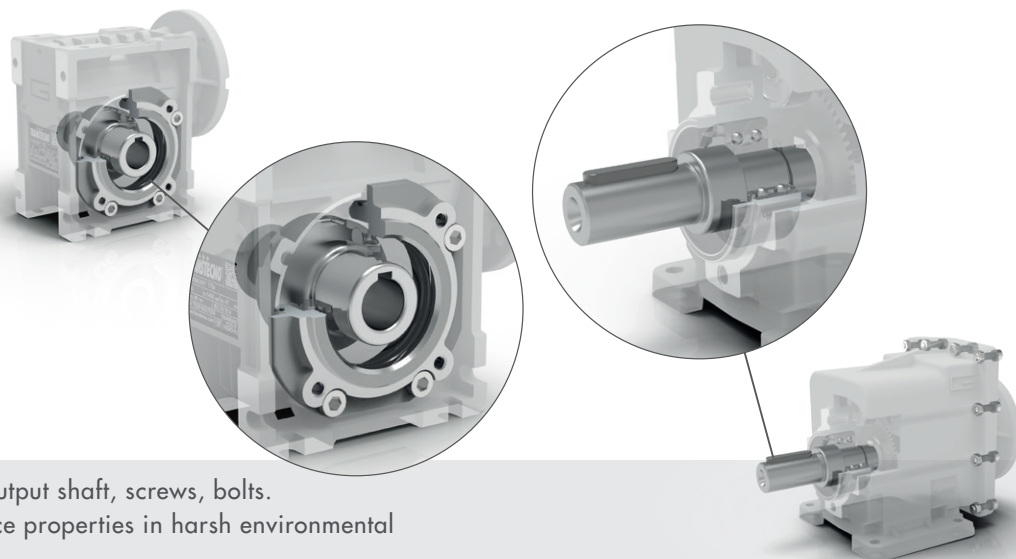
- Robust cast iron housings
- Lubricated with full synthetic oil
- Flexible coupling motor connection
- IP66 protection Standard on SM motors

- Modular, compact design
- In-line or Right angle input on request
- Ratio's from 4 to 300:1 available
- Various SAE A-B-C inputs

RR CM/CMB Planetary reduction gear integrated with worm or helical bevel gearboxes

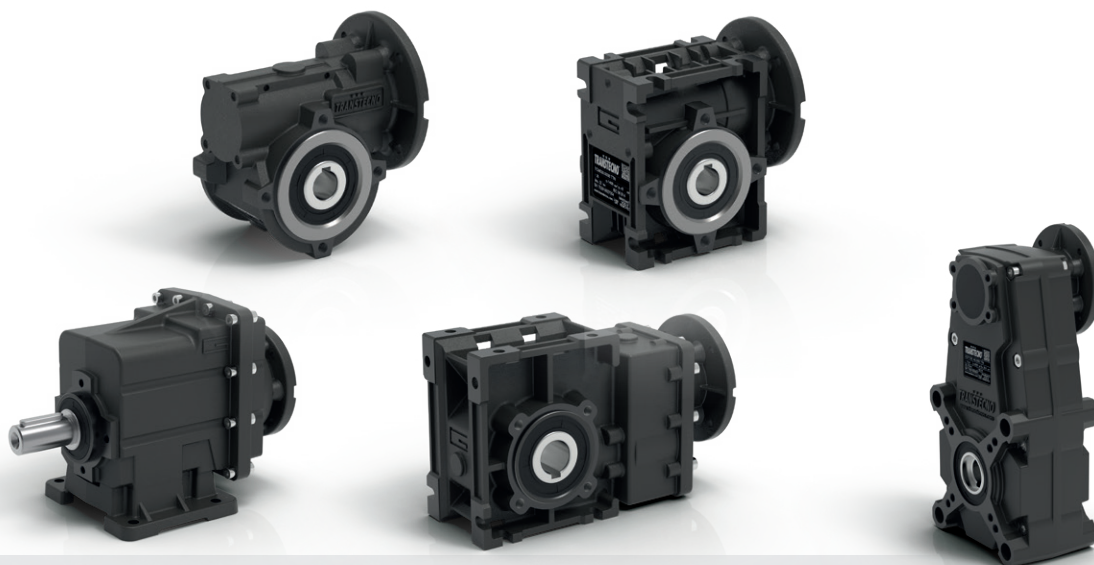


STAINLESS STEEL OUTPUT SHAFT *On request*



- AISI stainless steel hollow output shaft, screws, bolts.
- Excellent corrosion resistance properties in harsh environmental conditions
- Full operational capability over a wide range of temperatures

BLACK ANODIZED SURFACE *On request*



- Protection against corrosion of aluminium parts
- Thin, consistent coating on all product parts
- Excellent resistance to UV exposure
- Increased hardness and strength

WASHDOWN COVER



- Black anodized aluminium cover
- O-ring seal
- Captive screws

ADVANTAGES:

- Increased gearbox life thanks to higher corrosion protection
- Shaft and oil seal protection under all weather and working conditions

WATER TIGHT COVER

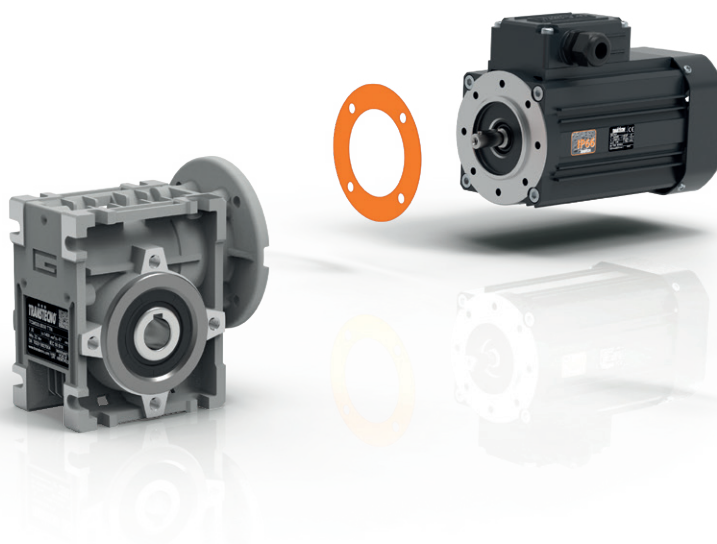


- Plastic PP UV resistant
- Rubber gasket seal

ADVANTAGES:

Shaft and oil seal protection against ingress of dust and water

RUBBER GASKET CA



- Waterproof gasket between input flange and motor
- Rubber gasket designed to provide hightened protection to the entire gearmotor assembly

ADVANTAGES:

- Long-term resistance to steam and water
- Constant mechanical properties even in case of temperature surge
- Low maintenance

 **TRANSTECNO SRL**
HEADQUARTERS
Via Caduti di Sabbiano, 11/D-E
40011 Anzola dell'Emilia (BO)
ITALY
T +39 051 64 25 811
F +39 051 73 49 43
sales@transtecno.com
www.transtecno.com

 **RR USA INC**
HEADQUARTERS
8 Creek Parkway,
Boothwyn PA 19061-8136
UNITED STATES
T + 1 (610) 4970154
F +1 (610) 497 6085

BRANCH
14561 Fryelands Blvd SE
Monroe, WA 98272 - UNITED STATES
T +1 360-863-1300
F +1 360-863-1303
info@rrusainc.com
www.rrusainc.com

**TRANSTECNO**[®]
the modular gearmotor

 **RR USA Inc.**

MEMBERS OF INTERPUMP GROUP

DEPLIANTCARWASH0121



 **HANGZHOU TRANSTECNO POWER TRANSMISSIONS CO LTD**
No.4 Xiuyan Road Fengdu Industry Zone
Pingyao Town Yuhang District
Hangzhou City, Zhejiang Province
311115 - CHINA
T +86 571 86 92 02 60
F +86 571 86 92 18 10
info-china@transtecno.cn
www.transtecno.cn

 **MA TRANSTECNO S.A.P.I. DE C.V.**
Av. Mundial # 176, Parque Industrial
JM Apodaca, Nuevo León,
C.P. 66600 - MEXICO
T +52 8113340920
info@transtecno.com.mx
www.transtecno.com.mx

 **TRANSTECNO IBÉRICA**
THE MODULAR GEARMOTOR, S.A.
C/Enginy, 2 Nave 6
08850 Gavà (Barcelona) - SPAIN
T +34 931 598 950
info@transtecno.es
www.transtecno.es

 **TRANSTECNO B.V.**
De Stuwdam, 43
3815 KM Amersfoort - NETHERLANDS
T +31(0) 33 45 19 505
F +31(0) 33 45 19 506
info@transtecno.nl
www.transtecno.nl

 **TRANSTECNO AANDRIJFTECHNIEK B.V.**
De Stuwdam 43
3815 KM Amersfoort - NETHERLANDS
T +31 (0) 33 20 4 7 006
info@transtecnoaandrijftechnik.nl
www.transtecnoaandrijftechnik.nl

 **TRANSTECNO CANADA**
51 B Caldari Road Unit 10
Vaughan, ON L4K 4G3 - CANADA
T +1 905 761 0762
F +1 905 761 9265
canadaoffice@transtecno.com
www.transtecno.com

 **TRANSTECNO CHILE-PERU**
Av. Los Libertadores 41
Parque Industrial - Los Libertadores 16.500
Santiago, Colina - CHILE
T +56 2 29633870
Carretera Panamericana Sur KM 29.5,
Interior I-3, Z.I. Lurin - PERU
T +51 1 3546259 / + 51 1 3434231
chileoffice@transtecno.com
www.transtecno.com

 **SALES OFFICE BRAZIL**
Rua Dr. Freire Alemão 155 / 402 - CEP. 90450-060
Auxiliadora Porto Alegre RS - BRAZIL
T +55 51 3251 5447
F +55 51 3251 5447
M +55 51 811 45 962
braziloffice@transtecno.com
www.transtecno.com.br

 **SALES OFFICE OCEANIA**
44 Northview drive, Sunshine west 3020
Victoria - AUSTRALIA
 T +61 03 9312 4722
F +61 03 9312 4714
M +61 0438060997
oceaniaoffice@transtecno.com
www.transtecno.com.au

 **SALES OFFICE INDIA**
Woodbine 2003/04, Everest World
Kolshet Road, Thane west Mumbai 400607
INDIA
T +91 982 061 46 98
indiaoffice@transtecno.com
www.transtecno.com

 **SALES OFFICE SOUTH KOREA**
772-41, Bongdong-ro, Bongdong-eup, Wanju-goon
Chonbuk, 55313
SOUTH KOREA
T +82 70 8867 8897
F +82 504 199 2107
M +82 10 5094 2107
koreaoffice@transtecno.com
www.transtecno.com