

INTERPUMP GROUP

POWER TRANSMISSIONS DIVISION

Product Range Overview 2021

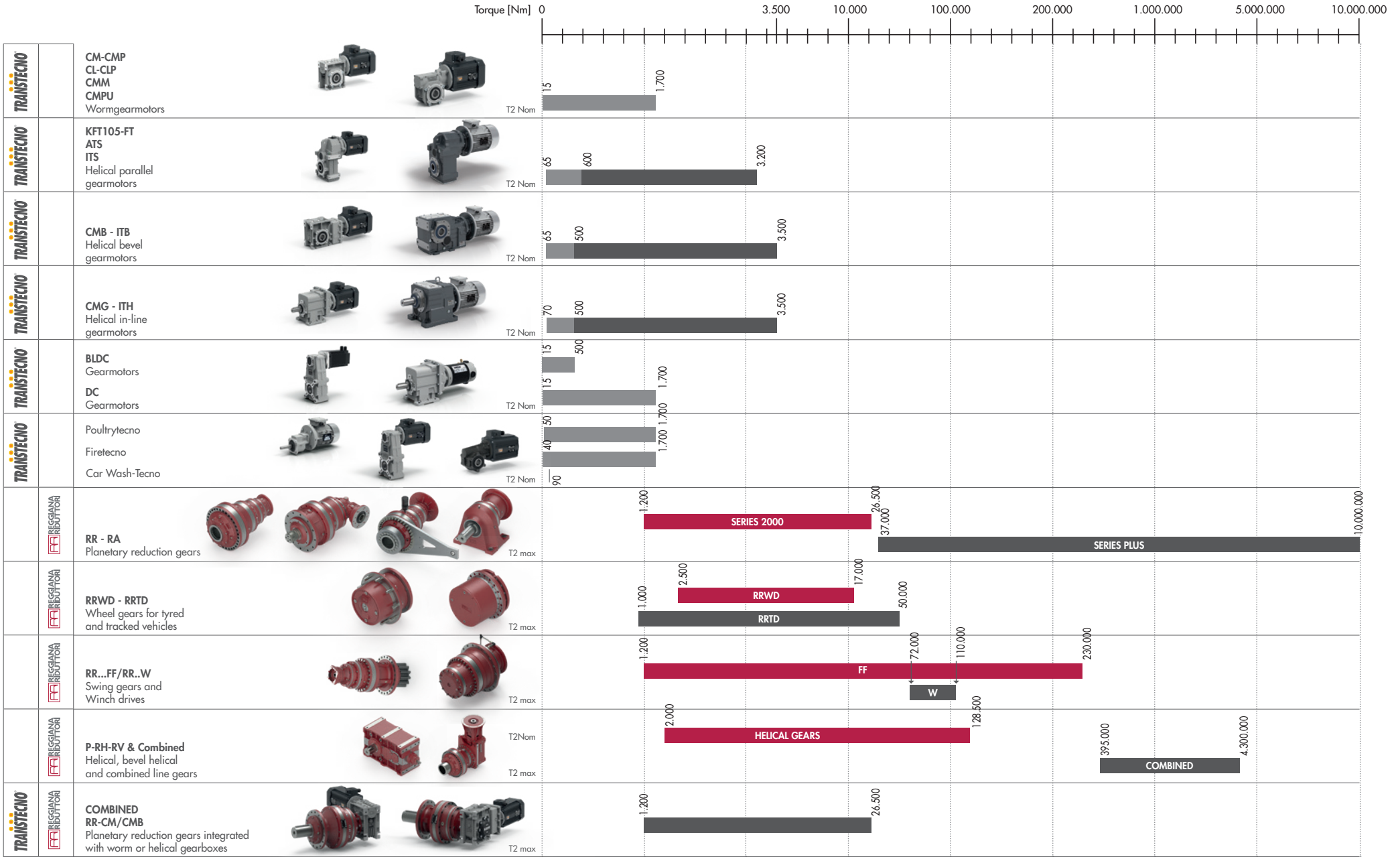


MEMBERS OF INTERPUMP GROUP

INTERPUMP GROUP POWER TRANSMISSIONS DIVISION

WWW.TRANSTECNO.COM

WWW.REGGIANARIDUTTORI.COM



Stock products

Torques up to 1.000 Nm
8.800 lb-in



AC



IEC & Nema



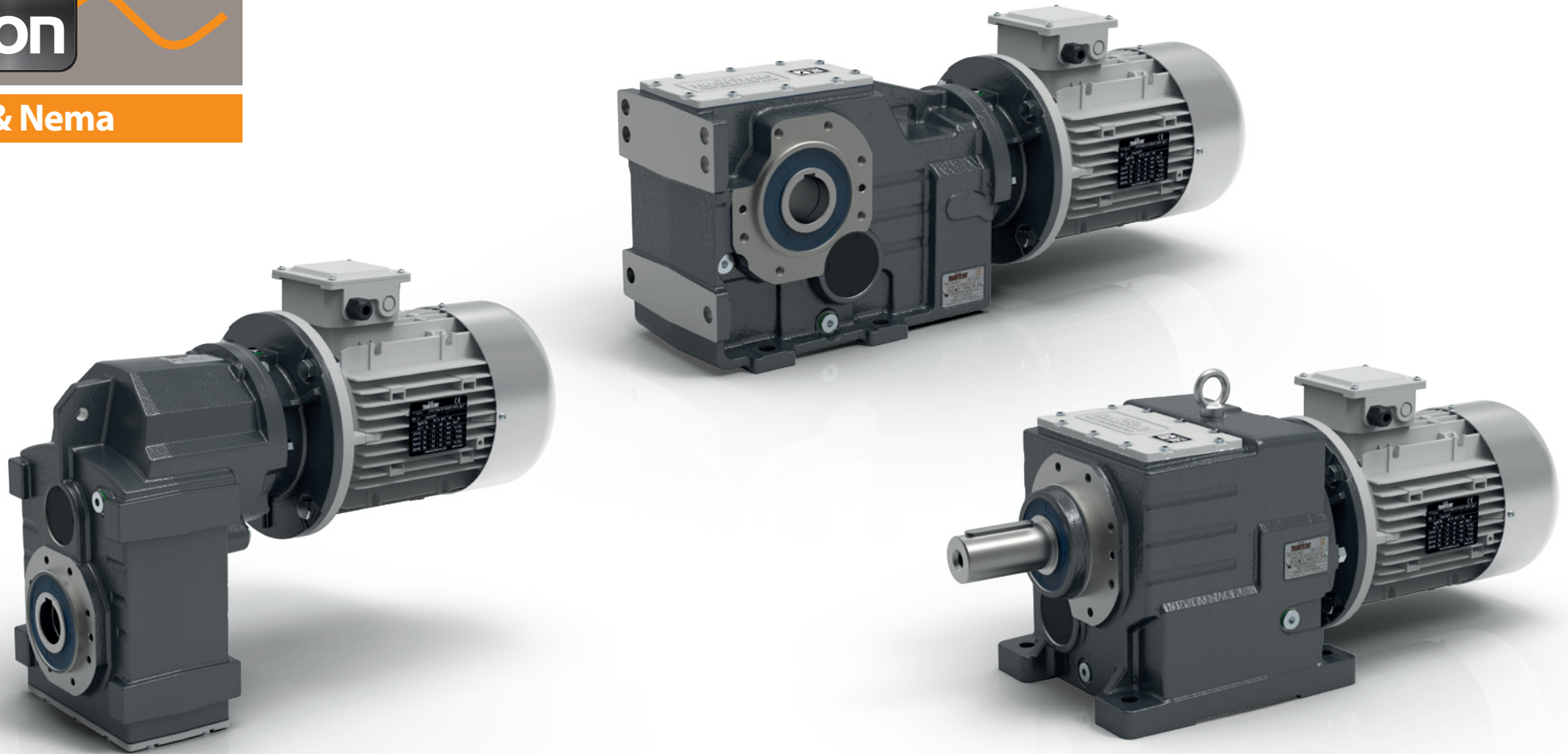
Stock products

Torques up to 3.500 Nm
31.000 lb-in

Iron

AC

IEC & Nema



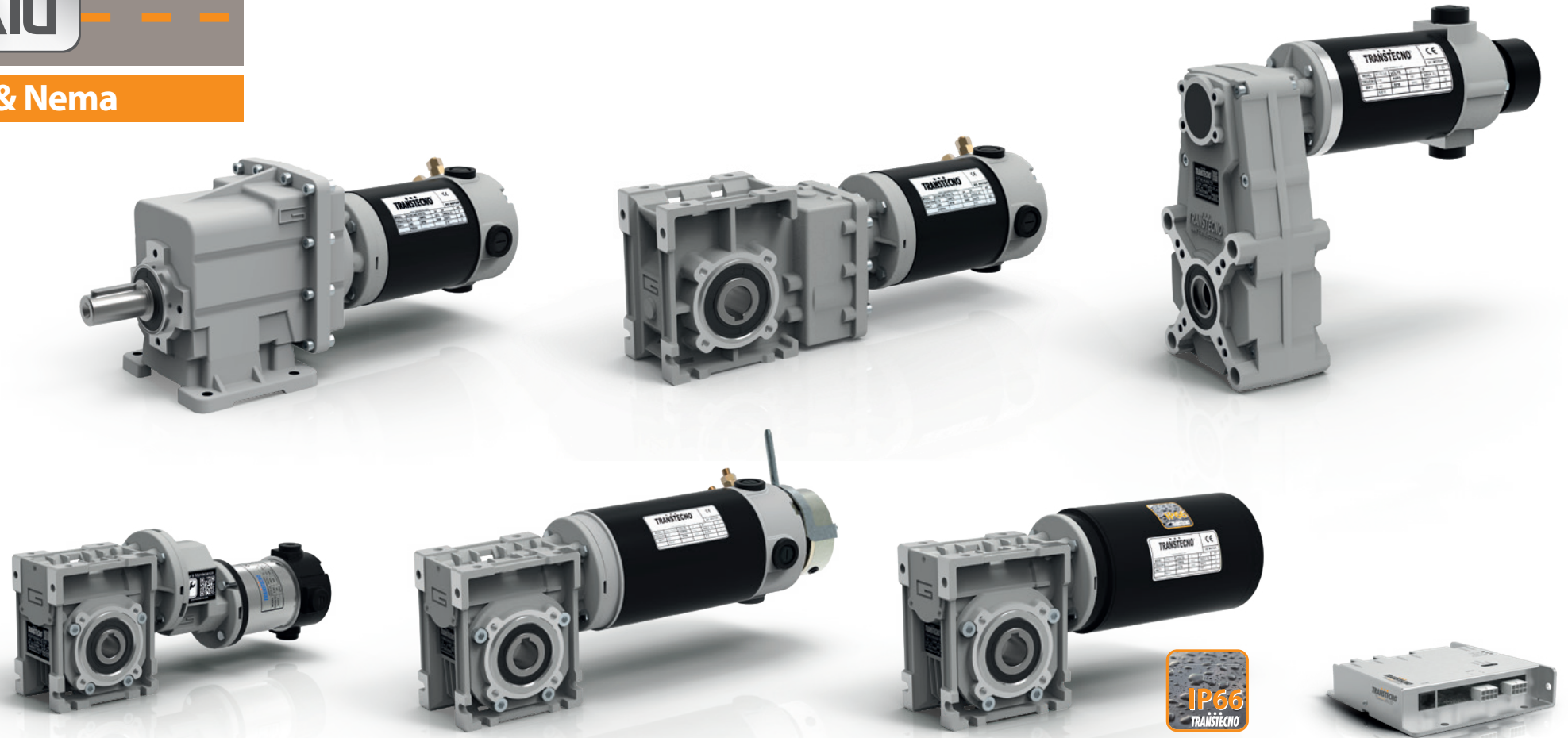
Stock products

Torques up to 500 Nm
4.500 lb-in



DC

IEC & Nema



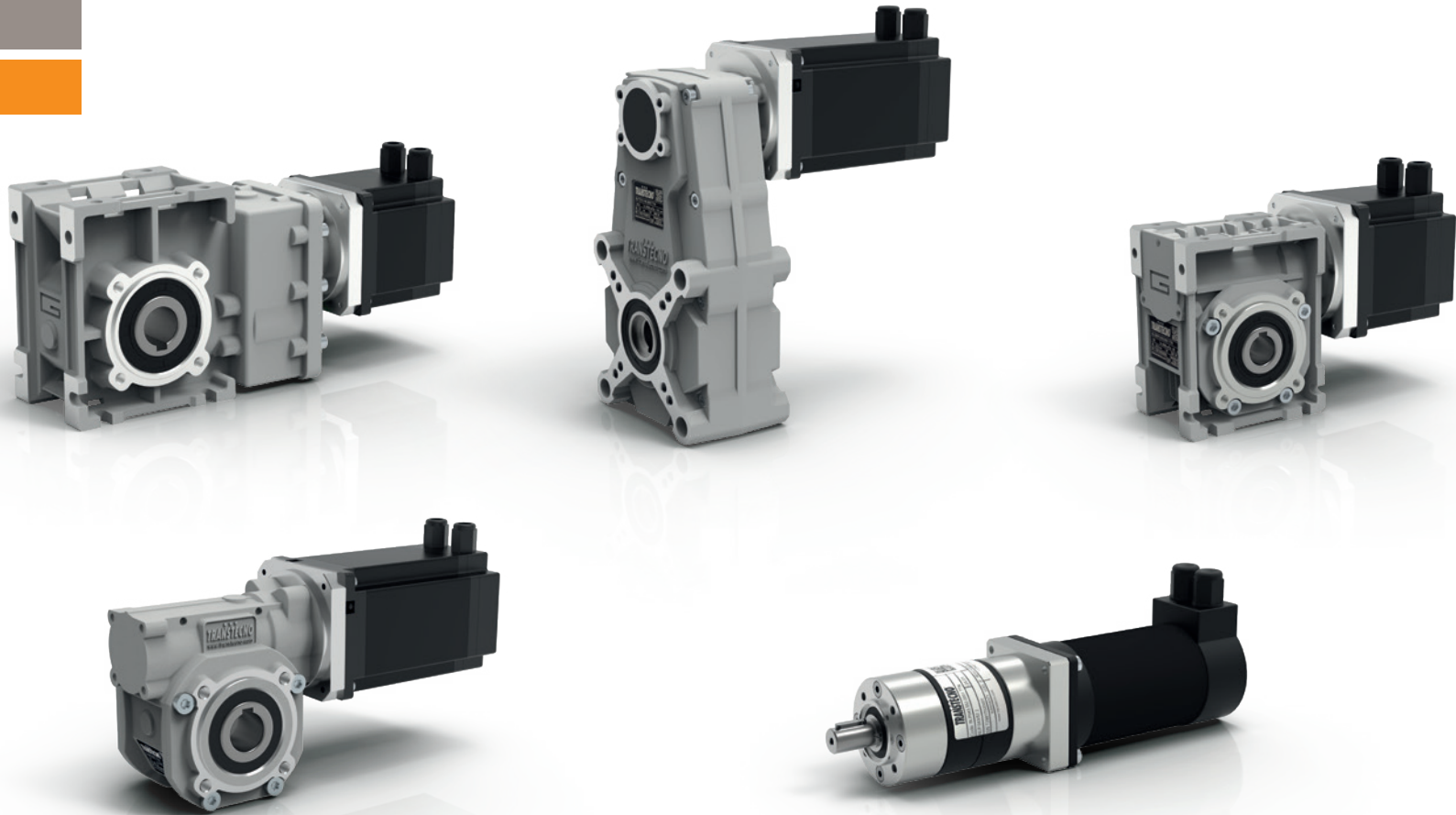
Stock products

Torques up to 500 Nm
4.500 lb-in



BLDC

IEC & Nema

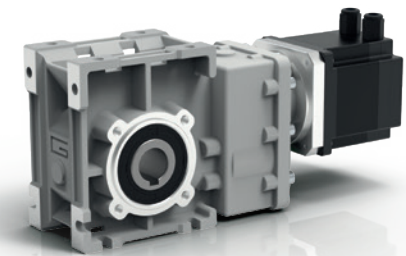
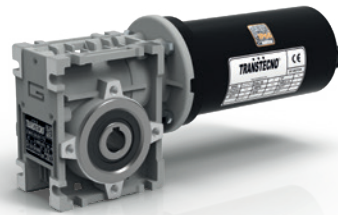
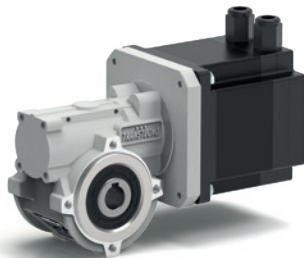


Stock products

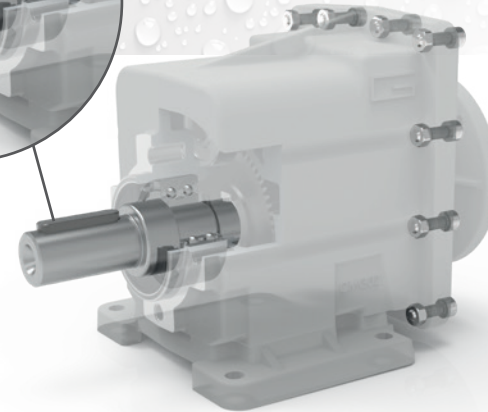
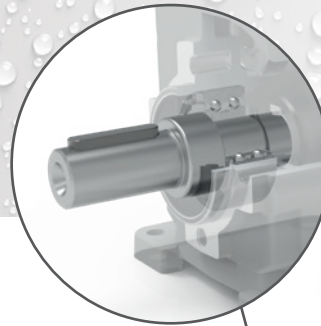
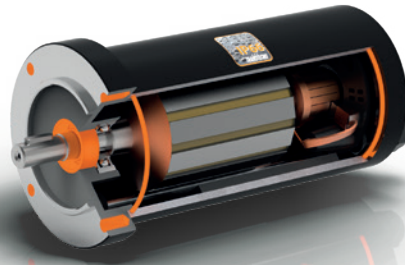
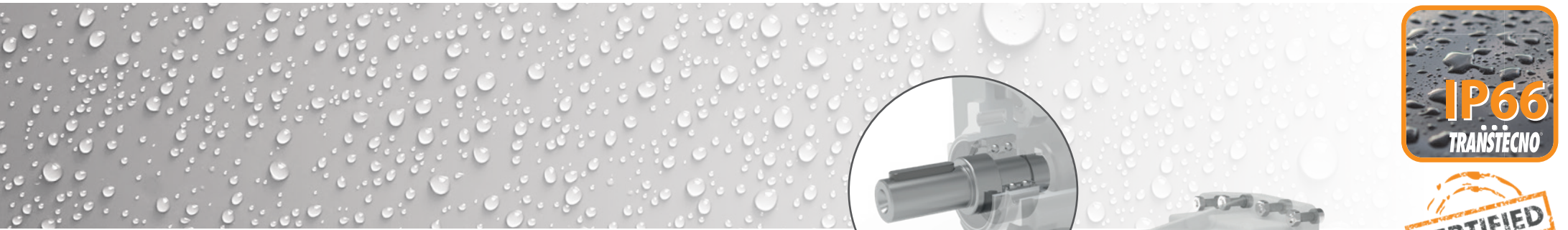
Torques up to 90 Nm
800 lb-in

MINI  **TECNO**
small but strong

IEC & Nema



Outdoor applications



- AC & DC IP66 Electric motors
- Washdown cover
- Stainless steel output shaft
- Black anodized surface



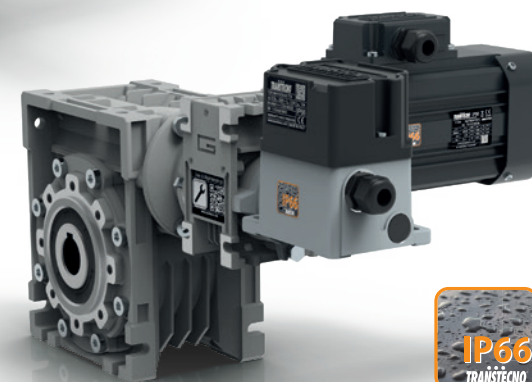
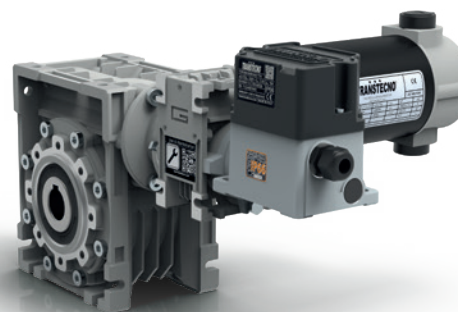
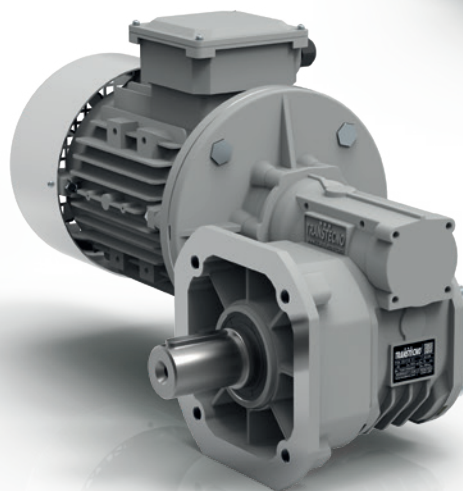
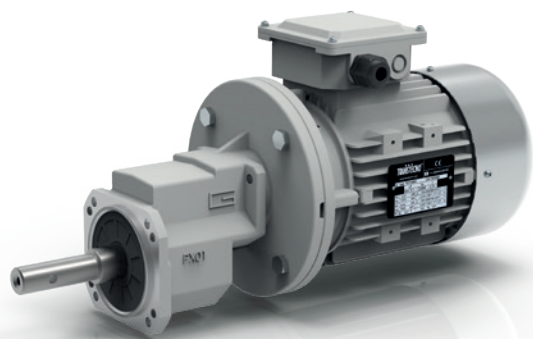
Products by market

Torques up to 1.700 Nm
15.000 lb-in



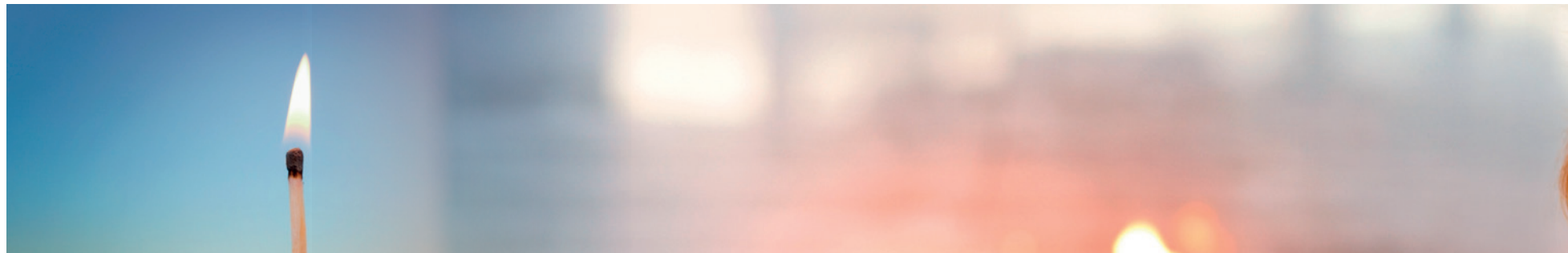
Poultry&Pig Tecno

The **garmotors** for farm equipment

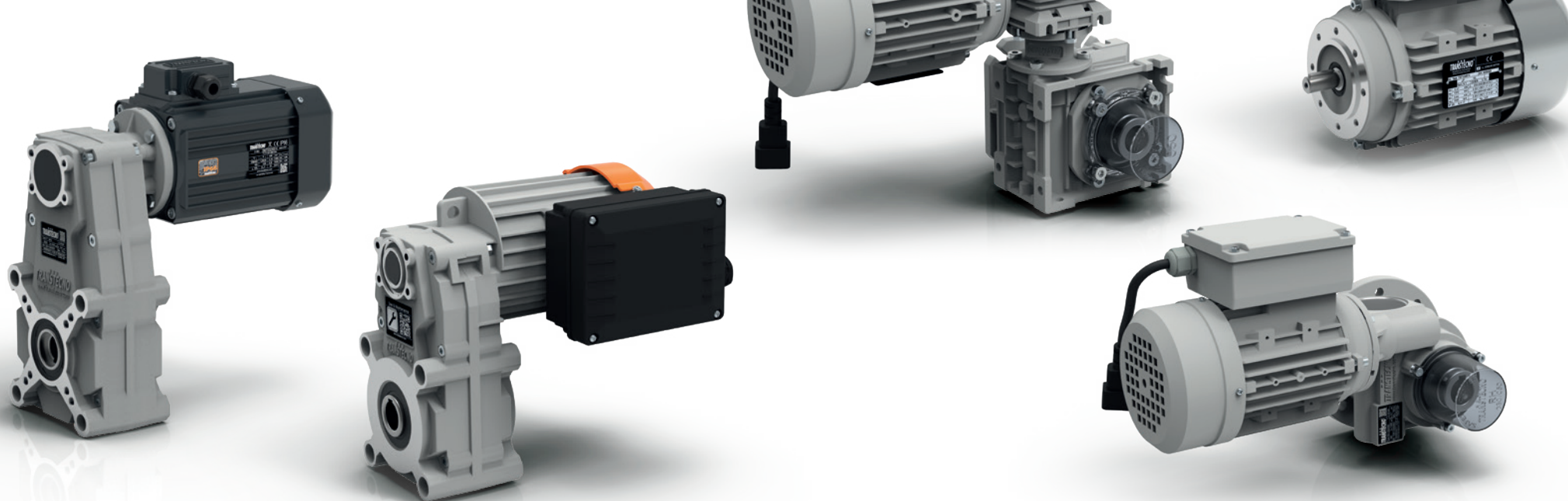


Products by market

Torques up to 1.700 Nm
15.000 lb-in



Fire  **Tecno**
The gearmotors for bioenergy boilers



Products **by market**

**Torques up to 90 Nm
800 lb-in**



Car-Wash Tecno

The **garmotors** for car wash equipment



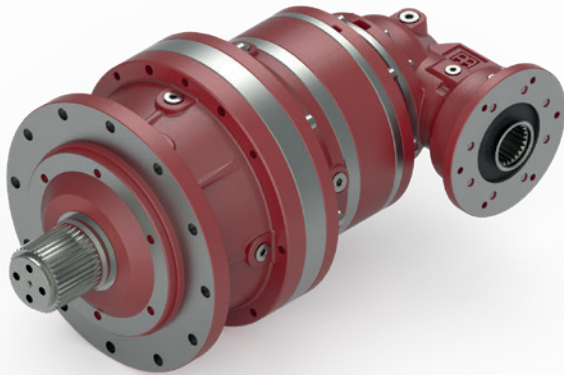
**SERIE 2000 - Torques (T2 max) up to 26.500 Nm
235.000 lb-in**

**SERIE PLUS - Torques (T2 max) up to 10.000.000 Nm
88.508.000 lb-in**

RR-RA

PLANETARY REDUCTION GEARS

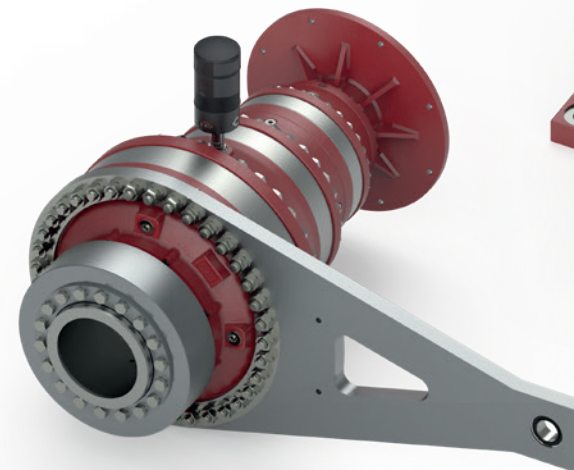
RA



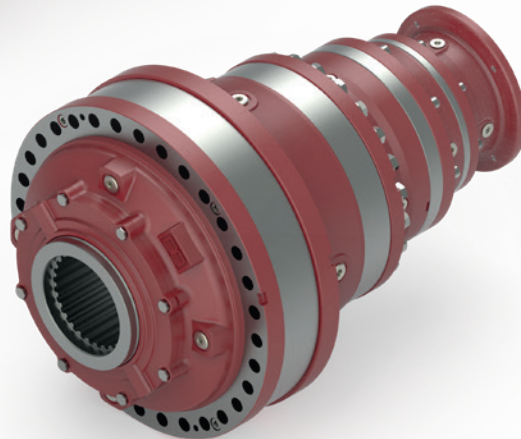
RR FOOT MOUNTED



RR SHAFT MOUNTED



RR



Our reducers are available with DC/AC/Traction/Brushless electric motor inputs on request

RRWD - RRTD

WHEEL AND TRUCK DRIVES

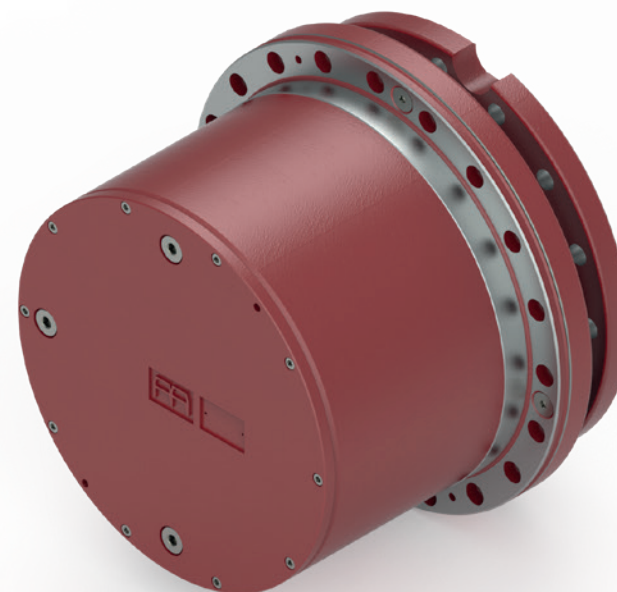
RRWD - Torques (T2 max) up to 17.000 Nm
151.000 lb-in


RRTD - Torques (T2 max) up to 50.000 Nm
443.000 lb-in

RRWD



RRTD



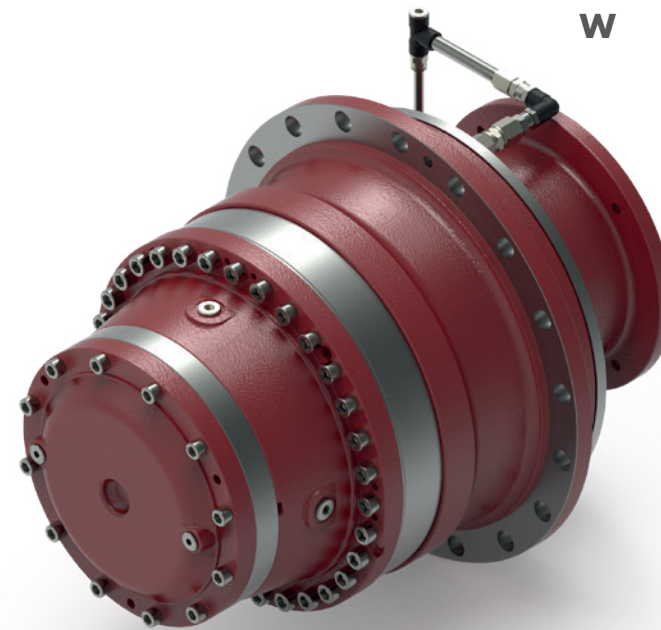
 Our reducers are available with DC/AC/Traction/Brushless electric motor inputs on request

RR...FF/RR...W

SWING GEARS
AND WINCH DRIVES

FF - Torques (T2 max) up to 230.000 Nm
2.036.000 lb-in

W - Torques (T2 max) up to 110.000 Nm
974.000 lb-in



Our reducers are available with
DC/AC/Traction/Brushless electric motor inputs on request

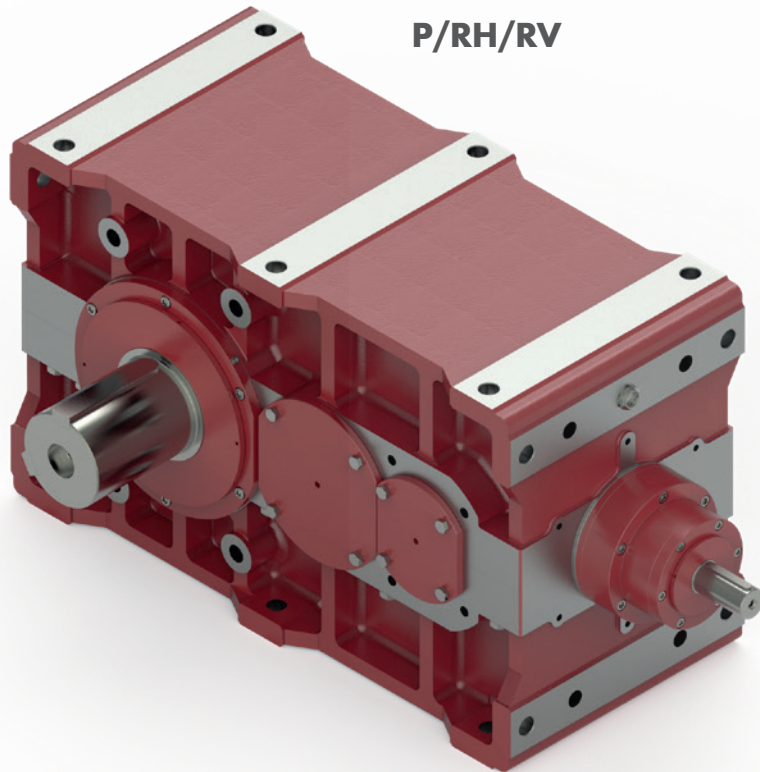
**HELICAL - Torques (T2 Nom) up to 128.500 Nm
1.137.400 lb-in**

**COMBINED - Torques (T2 max) up to 4.300.000 Nm
38.059.000 lb-in**

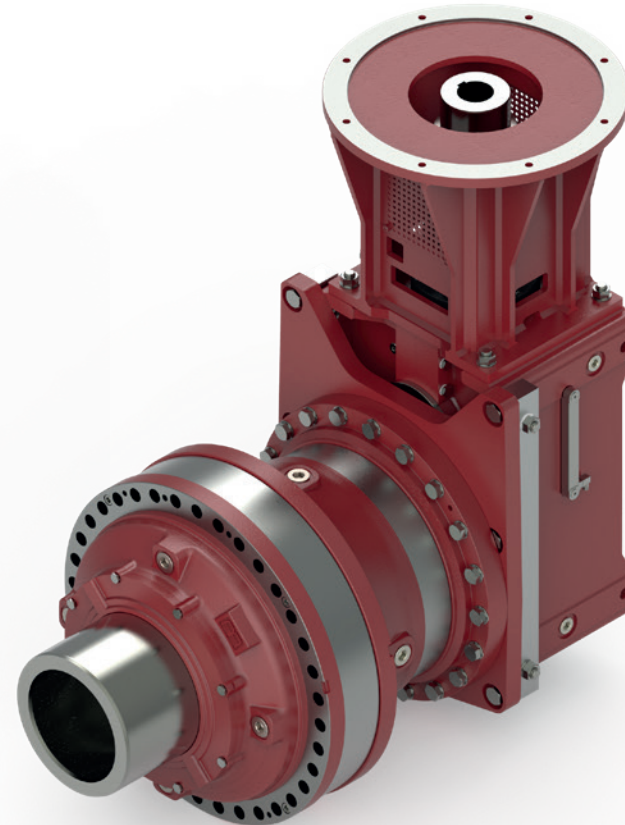
P/RH/RV & Combined

**HELICAL, BEVEL HELICAL
AND COMBINED LINE GEARS**

P/RH/RV



RH Combined

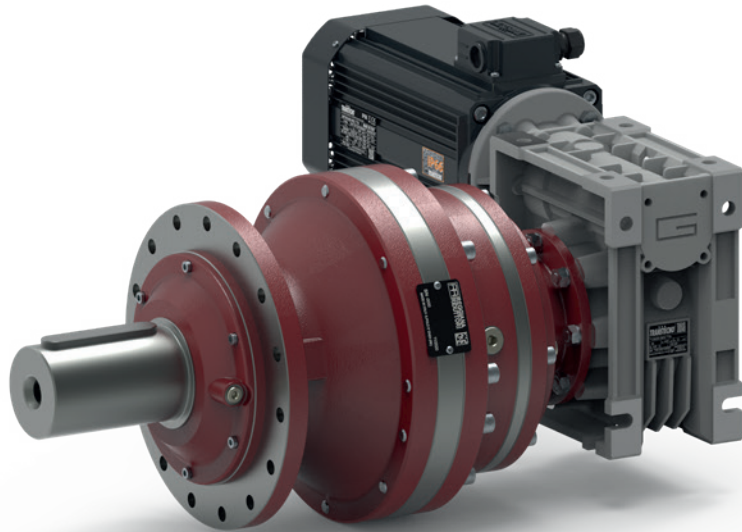


Our reducers are available with
DC/AC/Traction/Brushless electric motor inputs on request

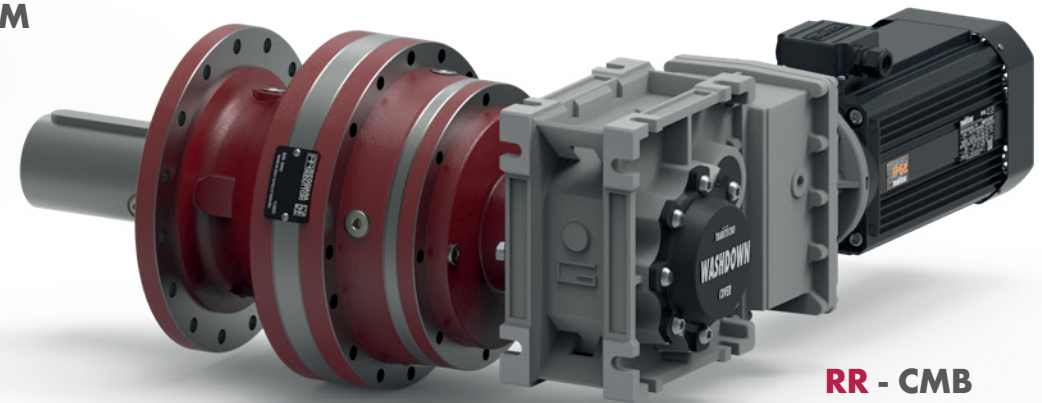
Torques (T2 Nom) up to 26.500 Nm
235.000 lb-in

RR CM/CMB

PLANETARY REDUCTION GEARS INTEGRATED WITH
WORM OR HELICAL BEVEL GEARBOXES



RR - CM



RR - CMB

INTERPUMP GROUP POWER TRANSMISSIONS DIVISION





REGGIANA RIDUTTORI SRL
Via Martiri di Marzabotto 7
42020 S.Polo D'Enza (RE) - ITALY
T +39 0522 259111 | F +39 0522 874321
info@reggianariduttori.com
www.reggianariduttori.com



TRANSTECNO SRL
Via Caduti di Sabbiano, 11 D/E
40011 Anzola Emilia (BO) - ITALY
T. +39.051.6425811 | F. +39.051.734943
sales@transtecno.com
www.transtecno.com

MEMBERS OF INTERPUMP GROUP