

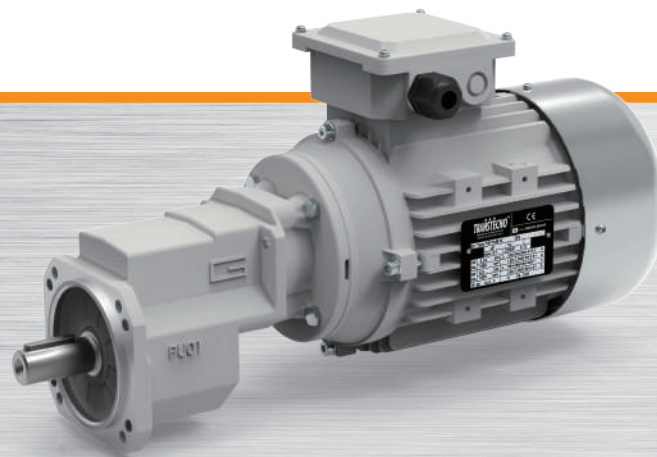
**TRANSTECNO**<sup>®</sup>  
the modular gearmotor

PU

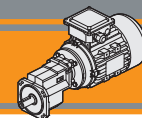
PU



单级斜齿轮减速电机  
Single stage helical gearmotors



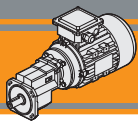




索引	<i>Index</i>	页码 <i>Page</i>
技术特征	<i>Technical features</i>	<b>12</b>
选型	<i>Classification</i>	<b>12</b>
运转方向	<i>Direction of rotation</i>	<b>13</b>
润滑油	<i>Lubrication</i>	<b>13</b>
径向负荷	<i>Radial loads</i>	<b>13</b>
代号说明	<i>Symbols</i>	<b>13</b>
技术参数	<i>Technical data</i>	<b>14</b>
IEC电机适配法兰	<i>IEC Motor adapters</i>	<b>15</b>
尺寸参数	<i>Dimensions</i>	<b>16</b>

该目录为最新版本，可替代以往的任何版本及修订。如果您是通过非正式渠道取得，不能保证是最新内容，可在本公司网站上查阅 [www.transtecno.com](http://www.transtecno.com)

*This section replaces any previous edition and revision. If you obtained this catalogue other than through controlled distribution channels, the most up to date content is not guaranteed. In this case the latest version is available on our web site [www.transtecno.com](http://www.transtecno.com)*



# PU

## 单级斜齿轮减速电机 Single stage helical gearmotors

### 技术特征

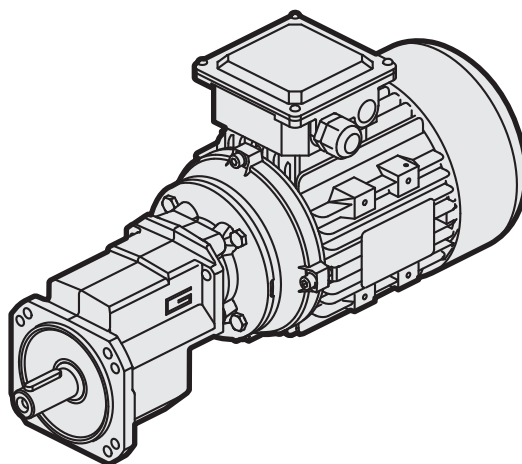
### Technical features

PU系列单级斜齿轮减速电机具备以下技术特征:

PU single stage helical gearmotor range has the following main features:

- 使用压铸铝合金箱体和输入输出法兰;
- 使用磨削硬齿面斜齿轮;
- 使用长寿命合成润滑油。

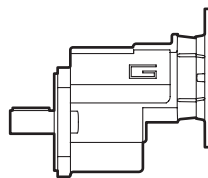
- Die-cast aluminium housings, input and output flanges;
- Ground-hardened helical gears;
- Permanent synthetic oil long-life lubrication.



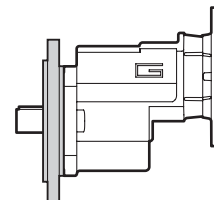
### 选型

减速机 / GEARBOX

PU	01	FT1	5.70	71	B5	O3
类型 Type	型号 Size	输出法兰形式 Version	速比 Ratio	IEC 	法兰型号 Version	输出轴 Output shaft diam.
PU 	01	U FT1 FT2 FT3	5.70 8.57	63 71 80	B5 B14	



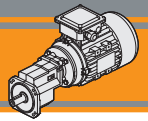
U



FT..

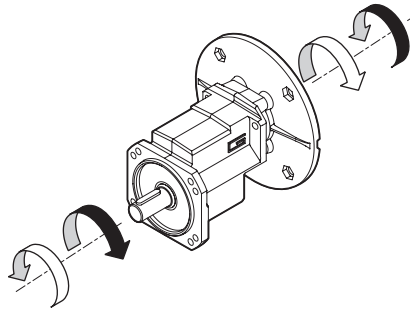
三相电机 / THREE PHASE MOTOR

TS	63	2	4	0.18 kW	B5	3 ph	230-400 V	50 Hz	T1
类型 Type	型号 Size	功率系数 Power coefficient	极 Poles	功率 Power	法兰型号 Version	相 Phases	电压 Voltage	效率 Frequency	接线盒位置 Terminal box pos.
TS	 K1 页	1-2-3-S L1-L2	4	0.09 kW ... 2.2 kW	B5 B14	3 ph	230-400 V 275-480 V	50Hz 60Hz	T1 (标准)  T4 T2 T3



运转方向

Direction of rotation



润滑油

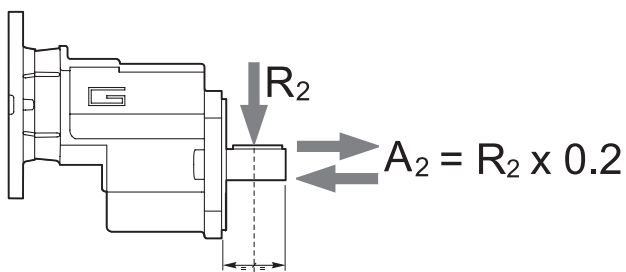
Lubrication

PU系列均使用长寿命合成润滑油，粘度为320度。

Permanent synthetic oil long-life lubrication (viscosity grade 320) makes it possible to use PU range in all mounting positions.

径向负荷

Radial loads

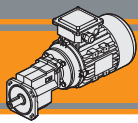


n <sub>2</sub> [min <sup>-1</sup> ]	R <sub>2</sub> [N]
	PU 01
500	643
400	693
300	763
250	810
200	873
150	961
100	1100

代号说明

Symbols

n <sub>1</sub>	[min <sup>-1</sup> ]	输入转速 / Input speed
n <sub>2</sub>	[min <sup>-1</sup> ]	输出转速 / Output speed
i		速比 / Ratio
P <sub>1</sub>	[kW]	输入功率 / Input power
M <sub>2</sub>	[Nm]	输出扭矩参照P <sub>1</sub> / Output torque referred to P <sub>1</sub>
sf		服务系数 / Service factor
R <sub>2</sub>	[N]	输出端许用径向负荷 / Permitted output radial load
A <sub>2</sub>	[N]	输出端许用轴向负荷 / Permitted output axial load
	[kg]	减速机重量 / Weight of the gearbox only

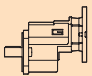


# PU

## 单级斜齿轮减速电机 Single stage helical gearmotors

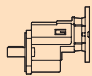
### 技术参数

### Technical data

$P_1$ [kW]	$n_2$ [min <sup>-1</sup> ]	$M_2$ [Nm]	sf	i	
---------------	-------------------------------	---------------	----	---	---

#### 0.12

TS6314 (1400 min <sup>-1</sup> )	<b>246</b> <b>163</b>	4.5 6.8	11.0 5.9	5.70 8.57	<b>PU01</b>
-------------------------------------	--------------------------	------------	-------------	--------------	-------------

$P_1$ [kW]	$n_2$ [min <sup>-1</sup> ]	$M_2$ [Nm]	sf	i	
---------------	-------------------------------	---------------	----	---	---

#### 0.55

TS7134	<b>246</b>	21	2.4	5.70	<b>PU01</b>
TS8014 (1400 min <sup>-1</sup> )	<b>163</b>	31	1.3	8.57	<b>PU01</b>

#### 0.18

TS6324 (1400 min <sup>-1</sup> )	<b>246</b> <b>163</b>	6.7 10	7.4 3.9	5.70 8.57	<b>PU01</b> <b>PU01</b>
-------------------------------------	--------------------------	-----------	------------	--------------	----------------------------

#### 0.75

TS7144	<b>246</b>	28	1.8	5.70	<b>PU01</b>
TS8024 (1400 min <sup>-1</sup> )	<b>163</b>	42	0.9	8.57	<b>PU01</b>

#### 0.25

TS6334	<b>246</b>	9.4	5.3	5.70	<b>PU01</b>
TS7114 (1400 min <sup>-1</sup> )	<b>163</b>	14	2.8	8.57	<b>PU01</b>

#### 1.1

TS8034 (1400 min <sup>-1</sup> )	<b>246</b>	41	1.2	5.70	<b>PU01</b>
-------------------------------------	------------	----	-----	------	-------------

#### 0.37

TS7124 (1400 min <sup>-1</sup> )	<b>246</b> <b>163</b>	14 21	3.6 1.9	5.70 8.57	<b>PU01</b> <b>PU01</b>
-------------------------------------	--------------------------	----------	------------	--------------	----------------------------



电机 Motors	TS		
	6314 6324 6334	7124 7134 7144	8014 8023 8034
IEC	63 B5 / B14	71 B5 / B14	80 B5 / B14

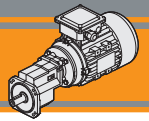
### 电机技术参数

### Electrical technical data

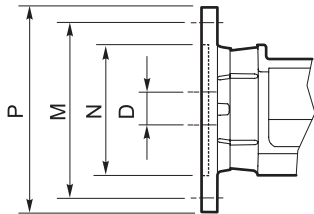
请参见专用页:

Please see the dedicated paragraph:





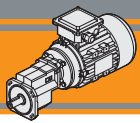
PU	TS电机		
	6314 6324 6334	7114 7124 7134 7144	8024 8034
01			



	IEC	N	M	P	D	i (速比 / ratio)	
						5.70	8.57
PU01	80 B5	130	165	200	19		
	80 B14	80	100	120			
	71 B5	110	130	160	14	B	
	71 B14	70	85	105			
	63 B5	95	115	140	11	BS	
	63 B14	60	75	90			

B/BS = 金属轴套

B/BS = Metal shaft sleeve



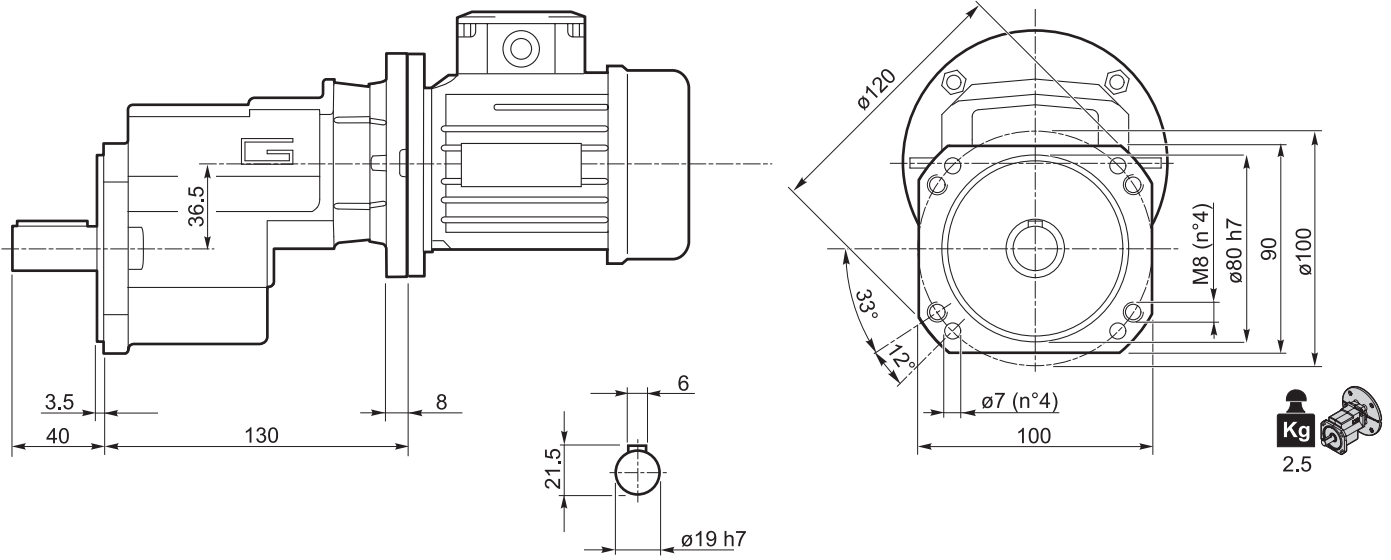
**PU**

单级斜齿轮减速电机  
Single stage helical gearmotors

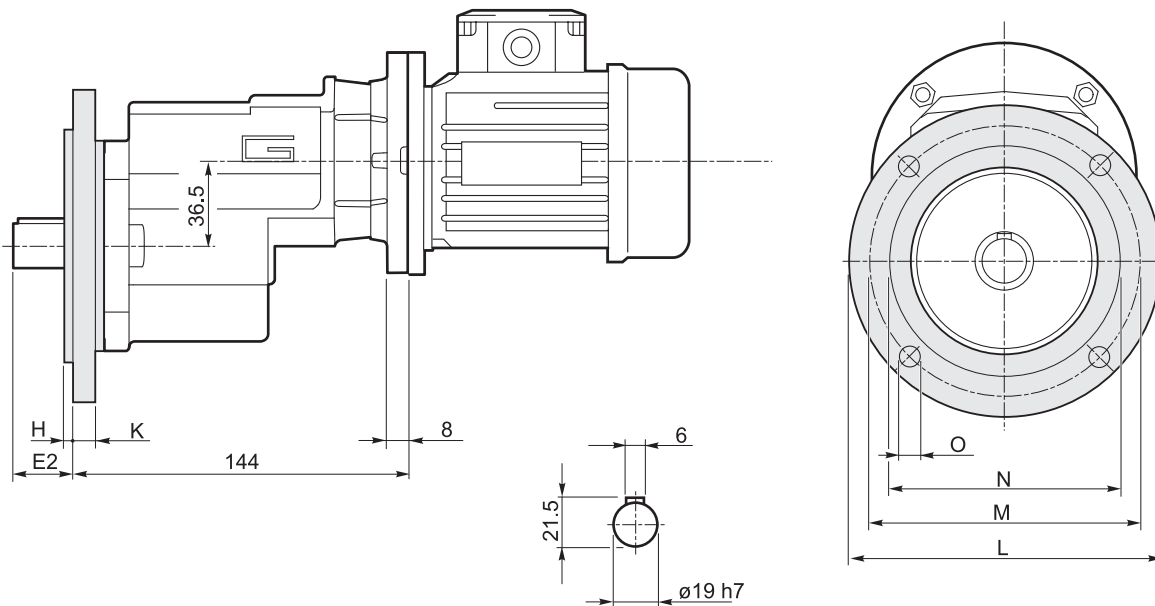
尺寸参数

Dimensions

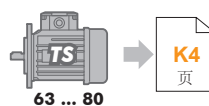
**PU01 U**



**PU01 FT..**



		型号 / Version							重量 / Weight [kg]
		E <sub>2</sub>	H	K	L	M	N f7	O	
<b>PU01</b>	FT1	26	3	10	140	115	95	M8	0.3
	FT2	26	3.5	10	160	130	110	9	0.4
	FT3	26	3.5	10	200	165	130	11	0.5





 **TRANSTECNO SRL**  
**HEADQUARTERS**

Company subject to the management  
and coordination of INTERPUMP GROUP SPA  
Via Caduti di Sabbiano, 11/D-E  
40011 Anzola dell'Emilia (BO)  
ITALY  
T+39 051 64 25 811  
F +39 051 73 49 43  
sales@transtecno.com  
[www.transtecno.com](http://www.transtecno.com)

  
**TRANSTECNO®**  
the modular gearmotor  
MEMBER OF INTERPUMP GROUP



 **HANGZHOU INTERPUMP  
POWER TRANSMISSIONS CO LTD**  
No.4 Xiuyan Road Fengdu Industry Zone  
Pingyao Town Yuhang District  
Hangzhou City, Zhejiang Province  
311115 – CHINA  
T +86 571 86 92 02 60  
info-china@transtecno.cn  
[www.transtecno.cn](http://www.transtecno.cn)

 **TRANSTECNO IBÉRICA  
THE MODULAR GEARMOTOR, S.A.**  
Carrer de la Ciència, 45  
08840 Viladecans (Barcelona) - SPAIN  
T +34 931 598 950  
info@transtecno.es  
[www.transtecno.es](http://www.transtecno.es)

 **TRANSTECNO B.V.**  
Siliciumweg 32  
3812 SX Amersfoort - NETHERLANDS  
T +31(0) 33 45 19 505  
info@transtecno.nl  
[www.transtecno.nl](http://www.transtecno.nl)

 **TRANSTECNO AANDRIJFTECHNIEK B.V.**  
Siliciumweg 32  
3812 SX Amersfoort - NETHERLANDS  
T +31 (0) 33 20 47 006  
info@transtecnoaandrijftechnik.nl  
[www.transtecnoaandrijftechnik.nl](http://www.transtecnoaandrijftechnik.nl)

 **MA TRANSTECNO S.A.P.I. DE C.V.**  
Julián Sepúlveda Dávila #107,  
Parque Industrial SG  
Apodaca, Nuevo León, CP. 66640  
MÉXICO  
T +52 8113340920  
info@transtecno.com.mx  
[www.transtecno.com.mx](http://www.transtecno.com.mx)


 **TRANSTECNO USA**  
8 Creek Parkway,  
Boothwyn PA 19061-8136 - UNITED STATES  
T + 1 (610) 4970154

**TRANSTECNO USA – WEST COAST BRANCH**  
14561 Fryelands Blvd SE  
Monroe, WA 98272 - UNITED STATES  
T +1 360-863-1300  
usaoffice@transtecno.com  
[www.transtecno.com](http://www.transtecno.com)

 **TRANSTECNO CANADA**  
51 B Caldari Road Unit 10  
Vaughan, ON L4K 4G3 - CANADA  
T +1 905 761 0762  
canadaoffice@transtecno.com  
[www.transtecno.com](http://www.transtecno.com)

 **TRANSTECNO INDIA**  
#6A, Sipcot Industrial complex, Phase-1, Elasagiri Road  
Hosur – 635126 Tamilnadu - INDIA  
T +91 4344 274434  
M +91 81443 88800

**TRANSTECNO INDIA – NORTH BRANCH**  
Plot No: 3 A, Sector 2, IIE, Sidcul, Pantnagar  
U.S. Nagar, Uttarakhand – 263153 - INDIA  
indiaoffice@transtecno.com  
[www.transtecno.com](http://www.transtecno.com)

 **TRANSTECNO BRAZIL**  
Rua Gilberto de Zorzi, 525 Forqueta - CEP. 95115-730  
CX Postal 3544 Caxias do Sul RS – BRAZIL

**TRANSTECNO BRAZIL – SÃO PAULO BRANCH**  
R. Mafalda Barnabe Soliane, 314 – CEP. 13347-610  
Indaiatuba, São Paulo - BRAZIL  
T +55 19 3437 2520

**TRANSTECNO BRAZIL – PORTO ALEGRE BRANCH**  
Rua Dr. Freire Alemão 155 / 402 - CEP. 90450-060  
Auxiliadora Porto Alegre RS - BRAZIL  
T +55 51 4042 0916  
M +55 51 811 45 962  
braziloffice@transtecno.com  
[www.transtecno.com.br](http://www.transtecno.com.br)

 **INTERPUMP ANTRIEBSTECHNIK GMBH**  
Büro Stuttgart - GERMANY  
T +49 (0)171 4781909  
germanoffice@transtecno.com  
[www.transtecno.com](http://www.transtecno.com)

 **SALES OFFICE OCEANIA**  
Unit 5, 12 Nyholt Drive, Yatala 4207  
Queensland - AUSTRALIA  
T +61 07 3800 0103  
M +61 04 38060997

UNIT 9, 94 Boundary Rd, Sunshine West 3020  
Victoria - AUSTRALIA  
T +61 9312 4722  
oceaniaoffice@transtecno.com  
[www.transtecno.com.au](http://www.transtecno.com.au)