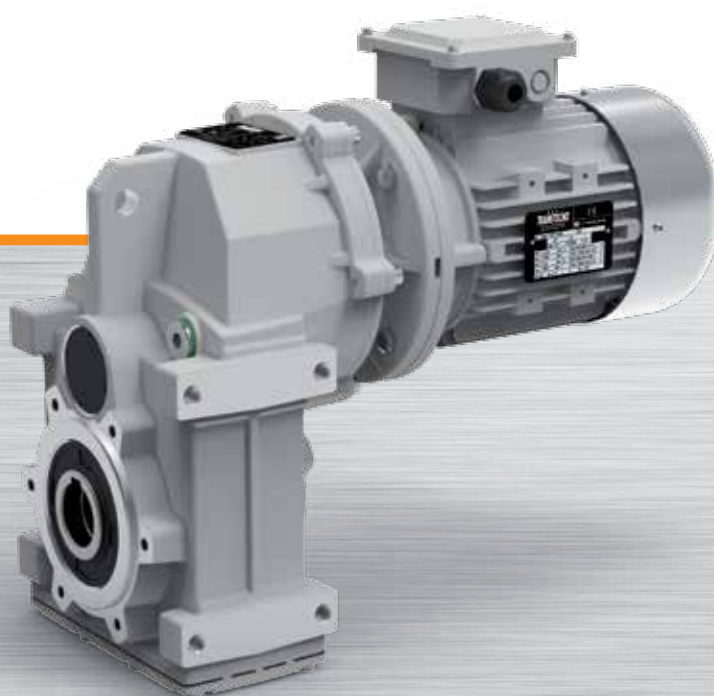
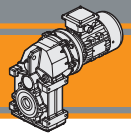




Motoriduttori pendolari
Helical parallel gearmotors

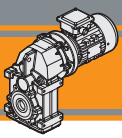




Indice	Index	Pag. Page
Caratteristiche tecniche	<i>Technical features</i>	F2
Designazione	<i>Classification</i>	F3
Sensi di rotazione	<i>Direction of rotation</i>	F4
Simbologia	<i>Symbols</i>	F4
Lubrificazione	<i>Lubrication</i>	F4
Carichi radiali	<i>Radial loads</i>	F5
Dati tecnici	<i>Technical data</i>	F6
Dimensioni	<i>Dimensions</i>	F12
Accessori	<i>Accessories</i>	F16

Questa sezione annulla e sostituisce ogni precedente edizione o revisione. Qualora questa sezione non Vi sia giunta in distribuzione controllata, l'aggiornamento dei dati ivi contenuto non è assicurato. **In tal caso la versione più aggiornata è disponibile sul nostro sito internet www.transtecno.com**

*This section replaces any previous edition and revision. If you obtained this catalogue other than through controlled distribution channels, the most up to date content is not guaranteed. **In this case the latest version is available on our web site www.transtecno.com***



Caratteristiche tecniche

I motoriduttori pendolari della serie ATS sono caratterizzati da un elevato grado di modularità: partendo da un corpo di base è possibile configurarlo secondo le esigenze con diversi kit in entrata ed in uscita.

Caratteristiche comuni a tutta la serie:

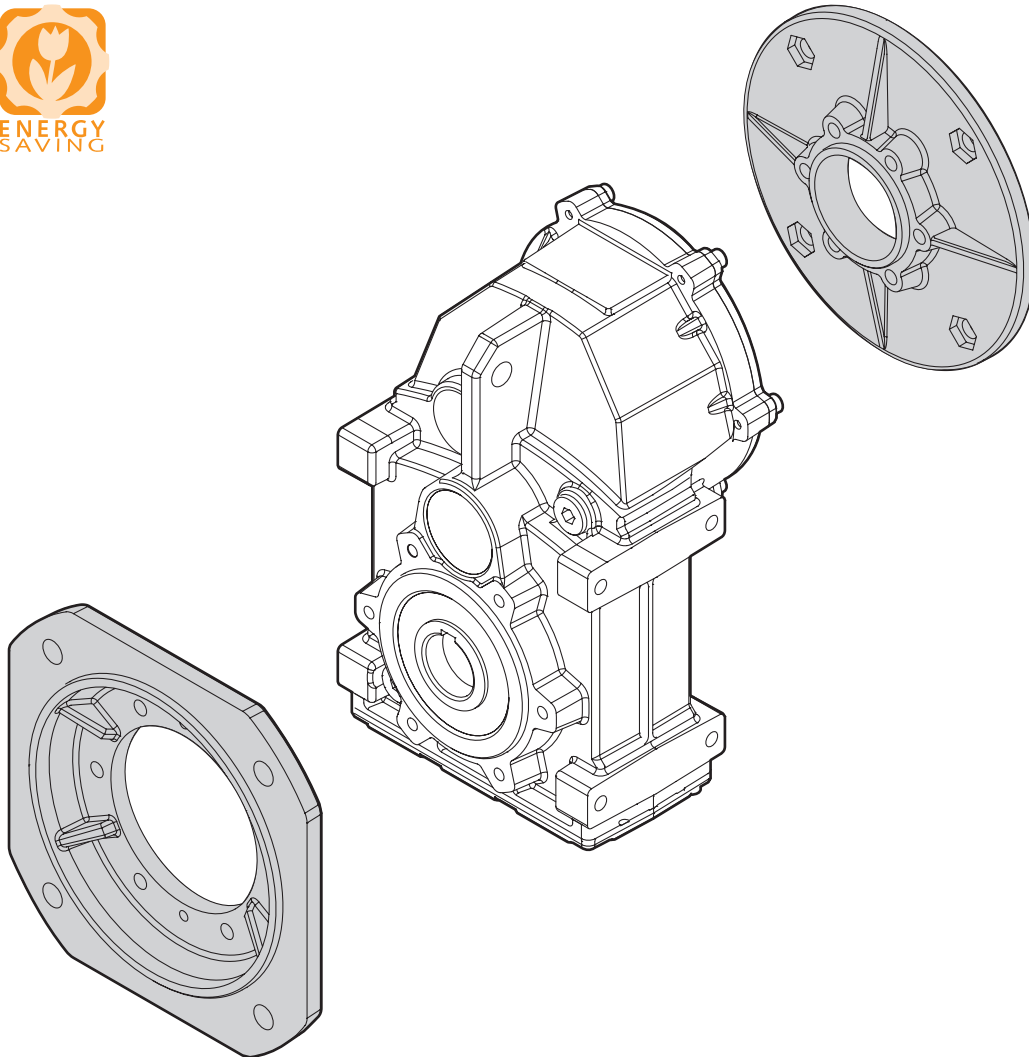
- Carcassa e flangia PAM in pressofusione di alluminio
- Lubrificazione permanente con olio sintetico.
- Ingranaggi cilindrici a denti elicoidali, induriti e rettificati.
- Flange di uscita in ghisa.

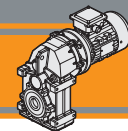
Technical features

The high degree of modularity is a design feature of ATS helical parallel range. It is possible to set up the version required by using input and output kits.

The main features of ATS range are:

- *Die-cast aluminium housings and input flanges*
- *Permanent synthetic oil long-life lubrication.*
- *Ground-hardened helical gears.*
- *Cast iron output flanges.*

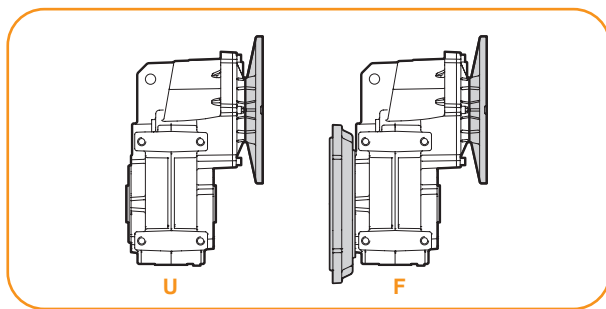




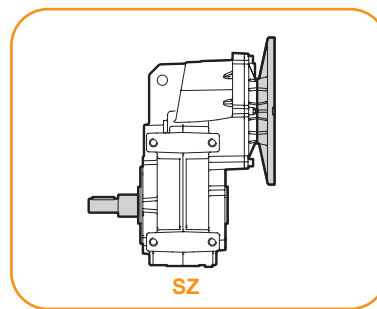
Designazione

Classification

Versione Riduttore
Gearbox Version



Albero di uscita
Output shaft

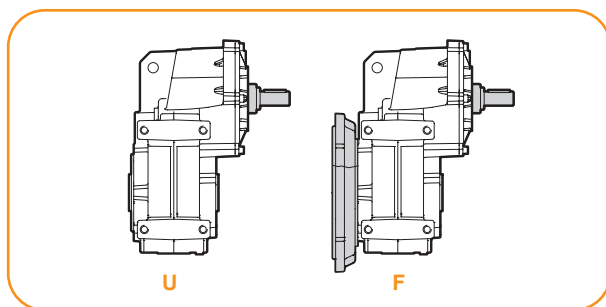


RIDUTTORE / GEARBOX

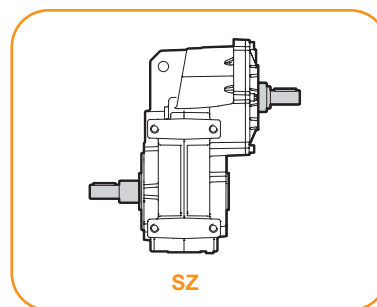
ATS	90	2	U	29.65	D35	90	B5	SZ
Tipo Type	Grandezza Size	Stadi Stages	Versione Version	Rapporto Ratio	Albero cavo uscita Hollow output shaft	IEC 	Forma costruttiva Version	Albero uscita maschio Solid output shaft
ATS 	90 91	2 3	U... F...	vedi tabelle see tables	vedi tabelle see tables	63.. — 112..	B5 B14	SZ

ATS

Versione Riduttore
Gearbox Version



Albero di uscita
Output shaft

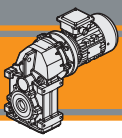


RIDUTTORE / GEARBOX

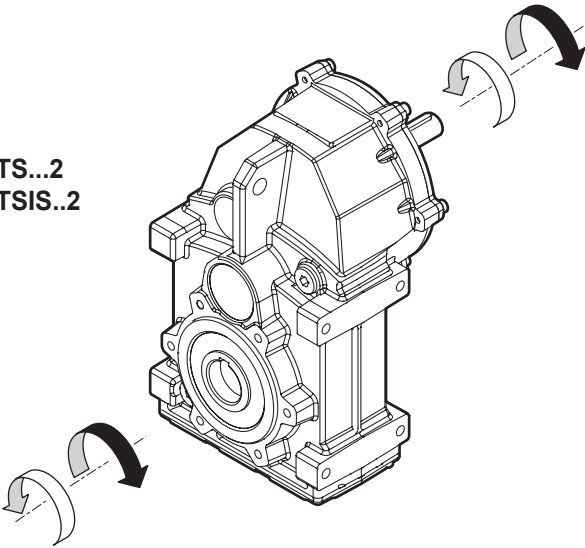
ATSIS	90	2	U	29.65	D35	SZ
Tipo Type	Grandezza Size	Stadi Stages	Versione Version	Rapporto Ratio	Albero cavo uscita Hollow output shaft	Albero uscita maschio Solid output shaft
ATSIS 	90 91	2 3	U... F...	vedi tabelle see tables	vedi tabelle see tables	SZ

MOTORE / MOTOR

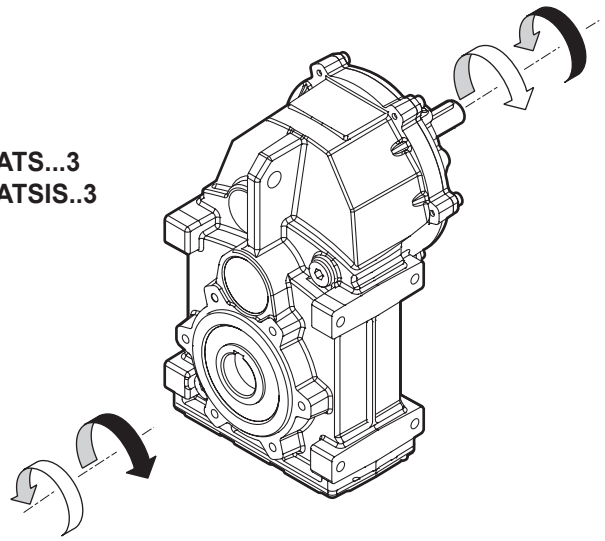
0.75kW	4p	3ph	230/400V	50Hz	T1
Potenza Power	Poli Poles	Fasi Phases	Tensione Voltage	Frequenza Frequency	Pos. morsetteria Terminal box pos.
vedi tabelle see tables	2p 4p 6p 8p	1ph 3ph	230V 230/400V	50Hz 60Hz	T1 (Std)



ATS...2
ATSIS..2



ATS...3
ATSIS..3



Simbologia

Symbols

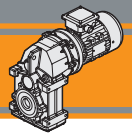
n_1	[min ⁻¹]	Velocità in ingresso / <i>Input speed</i>
n_2	[min ⁻¹]	Velocità in uscita / <i>Output speed</i>
i		Rapporto di riduzione / <i>Ratio</i>
P_1	[kW]	Potenza in entrata / <i>Input power</i>
M_2	[Nm]	Coppia nominale in uscita in funzione di P_1 / <i>Output torque referred to P_1</i>
P_{n1}	[kW]	Potenza nominale in entrata / <i>Nominal input power</i>
M_{n2}	[Nm]	Coppia nominale in uscita in funzione di P_{n1} / <i>Nominal output torque referred to P_{n1}</i>
sf		Fattore di servizio / <i>Service factor</i>
R_2	[N]	Carico radiale ammissibile in uscita / <i>Permitted output radial load</i>
A_2	[N]	Carico assiale ammissibile in uscita / <i>Permitted output axial load</i>

Lubrificazione

Lubrication

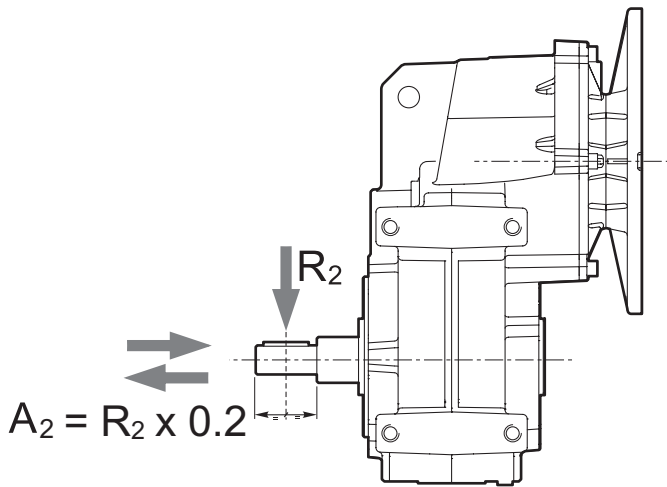
Tutti i motoriduttori sono forniti completi di lubrificante sintetico viscosità 320, pertanto possono essere installati in qualunque posizione di montaggio e non necessitano di manutenzione.

Permanent synthetic oil long-life lubrication (viscosity grade 320) makes it possible to use the gearmotors in all mounting positions; for this reason they can be installed in any assembly position and do not require maintenance.



Carichi radiali

Radial loads

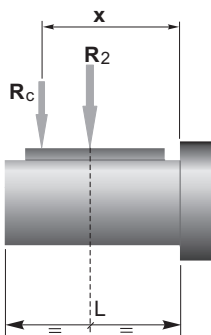


n_2 [min ⁻¹]	R_2 [N]	
	ATS 902 ATS 903	ATS 912 ATS 913
240	2400	3600
180	2400	4200
150	2400	4200
120	2500	4600
100	2800	4800
85	3090	5100
70	3150	5250
55	3630	6000
40	4440	6900
30	5100	7800
20	6000	9500
15	6000	10000
10	6000	10000
5	6000	10000

ATS

Quando il carico radiale risultante non è applicato sulla mezzera dell'albero occorre calcolare quello effettivo con la seguente formula:

When the resulting radial load is not applied on the centre line of the shaft it is necessary to calculate the effective load with the following formula:

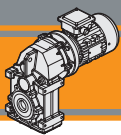


	ATS 902 ATS 903	ATS 912 ATS 913
a	152	174.5
b	97	114.5
R_{2MAX}	6000	10000

$$R_c = \frac{R_2 \cdot a}{(b + x)} \leq R_{2MAX}$$

$$R \leq R_c$$

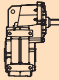
a, b = valori riportati nella tabella
a, b = values given in the table



Dati tecnici


n_1 1400 min⁻¹

Technical data

	n_2 [min ⁻¹]	Mn_2 [Nm]	Pn_1 [kW]	i	IEC Motori applicabili IEC Motor adapters					
					71 B5	80 B5/B14	90 B5/B14	100 B5/B14	112 B5/B14	
ATSIS 902										
	239	200	5.2	5.87	B					
	178	250	4.9	7.87	B					
	148	300	4.8	9.47	B					
	121	350	4.6	11.53	B					
	106	350	4.0	13.26	B					
	89.3	350	3.4	15.68	B					
	84.0	350	3.2	16.68	B					*
	73.3	400	3.2	19.09	B					*
	63.7	400	2.8	21.96	B					*
	52.8	400	2.3	26.50	B					*
	50.7	400	2.2	27.61	B					*
	47.2	400	2.1	29.65	B					*
	41.8	400	1.8	33.49	B			*		*
	39.0	400	1.7	35.87	B			*		*
	36.6	400	1.6	38.29	B			*		*
	31.9	400	1.4	43.88	B			*		*
	28.5	400	1.3	49.09	B			*		*
	26.6	350	1.04	52.71	B			*		*
	25.2	400	1.1	55.45	B			*		*
	22.1	400	0.98	63.41	B		*	*		*
	19.0	400	0.85	73.64	B		*	*		*
	16.0	400	0.71	87.27	B		*	*		*


ATSIS 903					63 B5	71 B5/B14	80 B5/B14	90 B5/B14
	14.0	400	0.62	100.33				*
	11.1	400	0.50	125.89				*
	10.6	400	0.47	131.65				*
	10.0	400	0.45	139.88			*	*
	9.3	400	0.41	151.07			*	*
	8.4	400	0.38	166.13			*	*
	8.1	400	0.36	172.40			*	*
	6.7	400	0.30	208.45			*	*
	6.3	400	0.28	223.41			*	*
	5.6	400	0.25	250.14			*	*
	4.3	400	0.19	323.65		*	*	*
	4.1	400	0.18	345.59		*	*	*
	3.7	400	0.17	376.15		*	*	*
	3.3	400	0.15	424.21		*	*	*

N.B.
Le aree evidenziate indicano l'applicabilità della corrispondente grandezza motore.
B = Boccola di riduzione in acciaio.

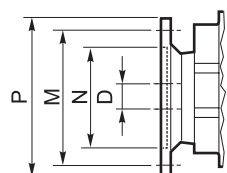
 * = Il fattore di servizio (**sf**) deve essere scelto in funzione dell'applicazione: si prega di contattare il nostro Servizio Tecnico.

Prima di eseguire la scelta del motoriduttore riferirsi alle prestazioni elencate nelle tabelle dalla pag. F8 alla pag. F11

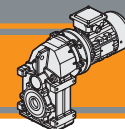
N.B.
Highlighted areas indicate motor inputs available on each size of unit.
B = Metal shaft sleeve.

 * = The service factor (**sf**) has to be selected depending on application: please contact our Technical Department.

Before selecting any gearbox, please read the performance values shown in the tables on page F8 to F11.



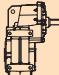
Dimensioni IEC / IEC Dimensions									
	63 B5	71 B5	71 B14	80 B5	80 B14	90 B5	90 B14	100/112 B5	100/112 B14
N	95	110	70	130	80	130	95	180	110
M	115	130	85	165	100	165	115	215	130
P	140	160	105	200	120	200	140	250	160
D	11	14		19		24		28	




Dati tecnici


n_1 1400 min⁻¹

Technical data

	n_2 [min ⁻¹]	Mn_2 [Nm]	Pn_1 [kW]	i	IEC Motori applicabili IEC Motor adapters					
					71 B5	80 B5/B14	90 B5/B14	100 B5/B14	112 B5/B14	
ATSIS 912										
	245.0	350	9.4	5.71	B					
	183	350	7.0	7.66	B					
	158	400	6.9	8.85	B					
	152	400	6.6	9.22	B					
	125	400	5.4	11.23	B					
	118	400	5.1	11.87	B					
	108	500	5.9	12.92	B					
	98.0	500	5.3	14.29	B					
	86.2	500	4.7	16.24	B					
	80.5	500	4.4	17.39	B					
	70.0	600	4.6	20.01	B					
	66.3	600	4.3	21.10	B					
	55.6	600	3.6	25.16	B					
	54.2	600	3.5	25.81	B					*
	48.5	600	3.2	28.88	B					*
	42.8	600	2.9	32.69	B					*
	37.5	520	2.17	37.30	B					*
	35.0	600	2.3	39.98	B					*
	31.3	600	2.1	44.73	B					*
	27.7	600	1.9	50.53	B			*		*
	24.2	600	1.6	57.77	B			*		*
	20.9	600	1.4	67.09	B			*		*
	17.6	520	1.02	79.52	B			*		*


	n_2 [min ⁻¹]	Mn_2 [Nm]	Pn_1 [kW]	i	IEC Motori applicabili IEC Motor adapters				
					63 B5	71 B5/B14	80 B5/B14	90 B5/B14	
ATSIS913									
	17.0	600	1.1	82.28					
	14.9	600	1.0	93.96					
	13.8	600	0.92	101.41					*
	11.4	600	0.76	122.61					*
	10.7	600	0.71	131.41					*
	9.5	600	0.64	147.13					*
	8.9	600	0.60	157.08					*
	7.4	600	0.49	189.92					*
	6.9	600	0.46	203.55			*		*
	6.1	600	0.41	227.91			*		*
	4.7	600	0.32	294.88			*		*
	4.4	600	0.30	314.87			*		*
	4.1	600	0.27	342.72			*		*
	3.6	600	0.24	386.51			*		*

N.B.
Le aree evidenziate indicano l'applicabilità della corrispondente grandezza motore.
B = Boccola di riduzione in acciaio.

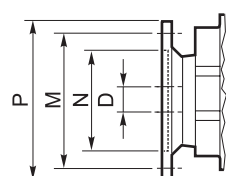
 * = Il fattore di servizio (**sf**) deve essere scelto in funzione dell'applicazione: si prega di contattare il nostro Servizio Tecnico.

Prima di eseguire la scelta del motoriduttore riferirsi alle prestazioni elencate nelle tabelle dalla pag. F8 alla pag. F11

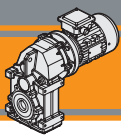
N.B.
Highlighted areas indicate motor inputs available on each size of unit.
B = Metal shaft sleeve.

 * = The service factor (**sf**) has to be selected depending on application: please contact our Technical Department.

Before selecting any gearbox, please read the performance values shown in the tables on page F8 to F11.



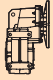

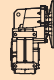

Dimensioni IEC / IEC Dimensions									
	63 B5	71 B5	71 B14	80 B5	80 B14	90 B5	90 B14	100/112 B5	100/112 B14
N	95	110	70	130	80	130	95	180	110
M	115	130	85	165	100	165	115	215	130
P	140	160	105	200	120	200	140	250	160
D	11	14		19		24		28	

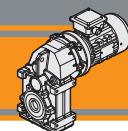


ATS Motoriduttori pendolari Helical parallel gearmotors

Dati tecnici



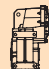

Technical data

P_1 [kW]	n_2 [min ⁻¹]	M_2 [Nm]	sf	i			P_1 [kW]	n_2 [min ⁻¹]	M_2 [Nm]	sf	i		
0.12							0.25						
63A4 (1400 min ⁻¹)	14.0	77	5.2	100.33	ATS903	B5	71A4 (1400 min ⁻¹)	238	10	20.8	5.87	ATS902	B5
	11.1	97	4.1	125.89		B5		178	13	19.4	7.87		B5
	10.6	101	3.9	131.65		B5		148	16	19.3	9.47		B5
	10.0	108	3.7	139.88		B5		121	19	18.5	11.53		B5
	9.3	116	3.4	151.07		B5		106	22	16.1	13.26		B5
	8.4	128	3.1	166.13		B5		89.3	26	13.6	15.68		B5
	8.1	133	3.0	172.40		B5		84.0	27	12.8	16.68		B5
	6.7	160	2.5	208.45		B5		73.3	31	12.8	19.09		B5
	6.3	172	2.3	223.41		B5		63.7	36	11.1	21.96		B5
	5.6	192	2.1	250.14		B5		52.8	43	9.2	26.50		B5
	4.3	249	1.6	323.65		B5		50.7	45	8.8	27.61		B5
	4.1	266	1.5	345.59		B5		47.2	49	8.2	29.65		B5
	3.7	289	1.4	376.15	B5	41.8		55	7.3	33.49	B5		
	3.3	326	1.2	424.21	B5	39.0		59	6.8	35.87	B5		
	6.9	157	3.8	203.55	ATS913	B5		36.6	61	6.5	38.29	B5	
	6.1	175	3.4	227.91		B5		31.9	70	5.7	43.88	B5	
	4.7	227	2.6	294.88		B5		28.5	79	5.1	49.09	B5	
	4.4	242	2.5	314.87		B5		26.6	84	4.1	52.71	B5	
	4.1	264	2.3	342.72		B5		25.2	89	4.5	55.45	B5	
	3.6	297	2.0	386.51		B5		22.1	102	3.9	63.41	B5	
				B5		19.0	118	3.4	73.64	B5			
				B5		16.0	140	2.9	87.27	B5			
0.18													
63B4 (1400 min ⁻¹)	14.0	116	3.5	100.33	ATS903	B5	14.0	161	2.5	100.33	ATS903	B5/B14	
	11.1	145	2.8	125.89		B5	11.1	202	2.0	125.89		B5/B14	
	10.6	152	2.6	131.65		B5	10.6	211	1.9	131.65		B5/B14	
	10.0	161	2.5	139.88		B5	10.0	224	1.8	139.88		B5/B14	
	9.3	174	2.3	151.07		B5	9.3	242	1.7	151.07		B5/B14	
	8.4	192	2.1	166.13		B5	8.4	266	1.5	166.13		B5/B14	
	8.1	199	2.0	172.40		B5	8.1	276	1.4	172.40		B5/B14	
	6.7	241	1.7	208.45		B5	6.7	334	1.2	208.45		B5/B14	
	6.3	258	1.6	223.41		B5	6.3	358	1.1	223.41		B5/B14	
	5.6	289	1.4	250.14		B5	5.6	401	1.0	250.14		B5/B14	
	4.3	374	1.1	323.65		B5	13.8	163	3.7	101.41		ATS913	B5/B14
	4.1	399	1.0	345.59		B5	11.4	197	3.1	122.61			B5/B14
	3.7	434	0.9	376.15	B5	10.7	211	2.8	131.41	B5/B14			
	3.3	490	0.8	424.21	B5	9.5	236	2.5	147.13	B5/B14			
	9.5	170	3.5	147.13	ATS913	B5	8.9	252	2.4	157.08	B5/B14		
	8.9	181	3.3	157.08		B5	7.4	304	2.0	189.92	B5/B14		
	7.4	219	2.7	189.92		B5	6.9	326	1.8	203.55	B5/B14		
	6.9	235	2.6	203.55		B5	6.1	365	1.6	227.91	B5/B14		
	6.1	263	2.3	227.91		B5	4.7	473	1.3	294.88	B5/B14		
	4.7	340	1.8	294.88		B5	4.4	505	1.2	314.87	B5/B14		
4.4	363	1.7	314.87	B5		4.1	549	1.1	342.72	B5/B14			
4.1	396	1.5	342.72	B5		3.6	620	1.0	386.51	B5/B14			
3.6	446	1.3	386.51	B5									

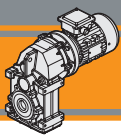


Dati tecnici

Technical data

P ₁ [kW]	n ₂ [min ⁻¹]	M ₂ [Nm]	sf	i			P ₁ [kW]	n ₂ [min ⁻¹]	M ₂ [Nm]	sf	i				
0.37							0.55								
71B4 (1400 min ⁻¹)	239	14	14.1	5.87	ATS902	B5	80A4 (1400 min ⁻¹)	239	21	9.5	5.87	ATS902	B5/B14		
	178	19	13.1	7.87			B5		178	28	8.8			7.87	B5/B14
	148	23	13.1	9.47			B5		148	34	8.8			9.47	B5/B14
	121	28	12.5	11.53			B5		121	42	8.4			11.53	B5/B14
	106	32	10.9	13.26			B5		106	48	7.3			13.26	B5/B14
	89.3	38	9.2	15.68			B5		89.3	56	6.2			15.68	B5/B14
	84.0	40	8.7	16.68			B5		84.0	60	5.8			16.68	B5/B14
	73.3	46	8.6	19.09			B5		73.3	69	5.8			19.09	B5/B14
	63.7	53	7.5	21.96			B5		63.7	79	5.1			21.96	B5/B14
	52.8	64	6.2	26.50			B5		52.8	95	4.2			26.50	B5/B14
	50.7	67	6.0	27.61			B5		50.7	99	4.0			27.61	B5/B14
	47.2	72	5.6	29.65			B5		47.2	107	3.7			29.65	B5/B14
	41.8	81	4.9	33.49			B5		41.8	121	3.3			33.49	B5/B14
	39.0	87	4.6	35.87			B5		39.0	129	3.1			35.87	B5/B14
	36.6	91	4.4	38.29			B5		36.6	135	3.0			38.29	B5/B14
	31.9	104	3.8	43.88			B5		31.9	155	2.6			43.88	B5/B14
	28.5	116	3.4	49.09			B5		28.5	173	2.3			49.09	B5/B14
	26.6	125	2.8	52.71			B5		26.6	186	1.9			52.71	B5/B14
	25.2	132	3.0	55.45			B5		25.2	196	2.0			55.45	B5/B14
	22.1	150	2.7	63.41			B5		22.1	224	1.8			63.41	B5/B14
	19.0	175	2.3	73.64			B5		19.0	260	1.5			73.64	B5/B14
	16.0	207	1.9	87.27			B5		16.0	308	1.3			87.27	B5/B14
	14.0	238	1.7	100.33	ATS903	B5/B14	14.0	354	1.1	100.33	ATS903	B5/B14			
	11.1	299	1.3	125.89			11.1	444	0.9	125.89			B5/B14		
	10.6	312	1.3	131.65			10.6	464	0.9	131.65			B5/B14		
	10.0	332	1.2	139.88			10.0								
	9.3	358	1.1	151.07	ATS912	B5/B14	31.3	158	3.8	44.73	ATS912	B5/B14			
	8.4	394	1.0	166.13			27.7	178	3.4	50.53			B5/B14		
	8.1	409	1.0	172.40			24.2	204	2.9	57.77			B5/B14		
	24.2	137	4.4	57.77			20.9	237	2.5	67.09			B5/B14		
	20.9	159	3.8	67.09	ATS912	B5	17.6	280	1.9	79.52	ATS912	B5/B14			
	17.6	189	2.8	79.52			17.0	290	2.1	82.28			B5/B14		
	17.0	195	3.1	82.28	ATS913	B5/B14	14.9	331	1.8	93.96	ATS913	B5/B14			
	14.9	223	2.7	93.96			13.8	358	1.7	101.41			B5/B14		
	13.8	241	2.5	101.41			11.4	432	1.4	122.61			B5/B14		
	11.4	291	2.1	122.61			10.7	463	1.3	131.41			B5/B14		
	10.7	312	1.9	131.41			9.5	519	1.2	147.13			B5/B14		
	9.5	349	1.7	147.13			8.9	554	1.1	157.08			B5/B14		
	8.9	373	1.6	157.08			7.4	670	0.9	189.92			B5/B14		
	7.4	451	1.3	189.92			B5/B14								
	6.9	483	1.2	203.55			B5/B14								
	6.1	541	1.1	227.91			B5/B14								
	4.7	700	0.9	294.88	B5/B14										

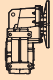

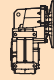

ATS

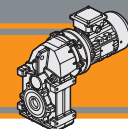


ATS Motoriduttori pendolari Helical parallel gearmotors

Dati tecnici



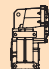

Technical data

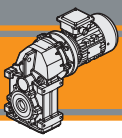
P_1 [kW]	n_2 [min ⁻¹]	M_2 [Nm]	sf	i			P_1 [kW]	n_2 [min ⁻¹]	M_2 [Nm]	sf	i			
0.75							1.1							
80B4 (1400 min ⁻¹)	239	29	6.9	5.87	ATS902	B5/B14	90S4 (1400 min ⁻¹)	239	42	4.7	5.87	ATS902	B5/B14	
	178	39	6.5	7.87		B5/B14		178	57	4.4	7.87		B5/B14	
	148	47	6.4	9.47		B5/B14		148	68	4.4	9.47		B5/B14	
	121	57	6.2	11.53		B5/B14		121	83	4.2	11.53		B5/B14	
	106	65	5.4	13.26		B5/B14		106	96	3.7	13.26		B5/B14	
	89.3	77	4.5	15.68		B5/B14		89.3	113	3.1	15.68		B5/B14	
	84.0	82	4.3	16.68		B5/B14		84.0	120	2.9	16.68		B5/B14	
	73.3	94	4.3	19.09		B5/B14		73.3	138	2.9	19.09		B5/B14	
	63.7	108	3.7	21.96		B5/B14		63.7	158	2.5	21.96		B5/B14	
	52.8	130	3.1	26.50		B5/B14		52.8	191	2.1	26.50		B5/B14	
	50.7	136	2.9	27.61		B5/B14		50.7	199	2.0	27.61		B5/B14	
	47.2	146	2.7	29.65		B5/B14		47.2	214	1.9	29.65		B5/B14	
	41.8	164	2.4	33.49		B5/B14		41.8	241	1.7	33.49		B5/B14	
	39.0	176	2.3	35.87		B5/B14		39.0	258	1.5	35.87		B5/B14	
	36.6	184	2.2	38.29		B5/B14		36.6	270	1.5	38.29		B5/B14	
	31.9	211	1.9	43.88		B5/B14		31.9	310	1.3	43.88		B5/B14	
	28.5	236	1.7	49.09		B5/B14		28.5	346	1.2	49.09		B5/B14	
	26.6	253	1.4	52.71		B5/B14		25.2	391	1.0	55.45		B5/B14	
	25.2	267	1.5	55.45		B5/B14		66.3	152	3.9	21.10		ATS912	B5/B14
	22.1	305	1.3	63.41		B5/B14		55.6	181	3.3	25.16			B5/B14
	19.0	354	1.1	73.64		B5/B14		54.2	186	3.2	25.81			B5/B14
	16.0	420	1.0	87.27		B5/B14		48.5	204	2.9	28.88			B5/B14
	42.8	157	3.8	32.69	ATS912	B5/B14		42.8	231	2.6	32.69	B5/B14		
	37.5	179	2.9	37.30		B5/B14		37.5	263	2.0	37.30	B5/B14		
	35.0	192	3.1	39.98		B5/B14		35.0	282	2.1	39.98	B5/B14		
	31.3	215	2.8	44.73		B5/B14		31.3	315	1.9	44.73	B5/B14		
	27.7	243	2.5	50.53		B5/B14		27.7	356	1.7	50.53	B5/B14		
	24.2	278	2.2	57.77		B5/B14		24.2	407	1.5	57.77	B5/B14		
	20.9	323	1.9	67.09		B5/B14		20.9	473	1.3	67.09	B5/B14		
	17.6	382	1.4	79.52		B5/B14		17.0	580	1.0	82.28	ATS913	B5/B14	
	17.0	396	1.5	82.28	ATS913	B5/B14		14.9	663	0.9	93.96		B5/B14	
	14.9	452	1.3	93.96		B5/B14								
13.8	488	1.2	101.41	B5/B14										
11.4	590	1.0	122.61	B5/B14										
10.7	632	0.9	131.41	B5/B14	B5/B14									



Dati tecnici

Technical data

P ₁ [kW]	n ₂ [min ⁻¹]	M ₂ [Nm]	sf	i			P ₁ [kW]	n ₂ [min ⁻¹]	M ₂ [Nm]	sf	i			
1.5							2.2							
90L4 (1400 min ⁻¹)	239	58	3.5	5.87	ATS902	B5/B14	100LA4 (1400 min ⁻¹)	42.8	461	1.3	32.69	ATS912	B5/B14	
	178	77	3.2	7.87		B5/B14		35.0	564	1.1	39.98		B5/B14	
	148	93	3.2	9.47		B5/B14		31.3	631	1.0	44.73		B5/B14	
	121	113	3.1	11.53		B5/B14								
	106	130	2.7	13.26		B5/B14								
	89.3	154	2.3	15.68		B5/B14								
	84.0	164	2.1	16.68		B5/B14								
	73.3	188	2.1	19.09		B5/B14								
	63.7	216	1.9	21.96		B5/B14								
	52.8	260	1.5	26.50		B5/B14								
	50.7	271	1.5	27.61	B5/B14									
	47.2	291	1.4	29.65	B5/B14									
	41.8	329	1.2	33.49	B5/B14									
	39.0	352	1.1	35.87	B5/B14									
	36.6	368	1.1	38.29	B5/B14									
	31.9	422	0.9	43.88	B5/B14									
	108.4	127	3.9	12.92	ATS912	B5/B14			245.0	112	3.1	5.71	ATS912	B5/B14
	98.0	140	3.6	14.29		B5/B14		182.7	151	2.3	7.66	B5/B14		
	86.2	160	3.1	16.24		B5/B14		158.2	174	2.3	8.85	B5/B14		
	80.5	171	2.9	17.39		B5/B14		151.8	181	2.2	9.22	B5/B14		
70.0	197	3.1	20.01	B5/B14		124.7	221	1.8	11.23	B5/B14				
66.3	207	2.9	21.10	B5/B14		117.9	233	1.7	11.87	B5/B14				
55.6	247	2.4	25.16	B5/B14		108.4	254	2.0	12.92	B5/B14				
54.2	254	2.4	25.81	B5/B14		98.0	281	1.8	14.29	B5/B14				
48.5	278	2.2	28.88	B5/B14		86.2	319	1.6	16.24	B5/B14				
42.8	314	1.9	32.69	B5/B14		80.5	342	1.5	17.39	B5/B14				
37.5	359	1.4	37.30	B5/B14	70.0	393	1.5	20.01	B5/B14					
35.0	385	1.6	39.98	B5/B14	66.3	415	1.4	21.10	B5/B14					
31.3	430	1.4	44.73	B5/B14	55.6	494	1.2	25.16	B5/B14					
27.7	486	1.2	50.53	B5/B14	54.2	507	1.2	25.81	B5/B14					
24.2	556	1.1	57.77	B5/B14	48.5	555	1.1	28.88	B5/B14					
					42.8	629	1.0	32.69	B5/B14					
2.2							3.0							
100LA4 (1400 min ⁻¹)	239	85	2.4	5.87	ATS902	B5/B14	112M4 (1400 min ⁻¹)	239	154	1.3	5.87	ATS902	B5/B14	
	178	113	2.2	7.87		B5/B14		178	206	1.2	7.87		B5/B14	
	148	136	2.2	9.47		B5/B14		148	248	1.2	9.47		B5/B14	
	121	166	2.1	11.53		B5/B14		121	302	1.2	11.53		B5/B14	
	106	191	1.8	13.26		B5/B14		106	347	1.0	13.26		B5/B14	
	89.3	226	1.5	15.68		B5/B14		89.3	411	0.9	15.68		B5/B14	
	84.0	240	1.5	16.68		B5/B14								
	73.3	275	1.5	19.09		B5/B14		245.0	150	2.3	5.71		ATS912	B5/B14
	63.7	316	1.3	21.96		B5/B14		182.7	201	1.7	7.66			B5/B14
	52.8	382	1.0	26.50		B5/B14		158.2	232	1.7	8.85			B5/B14
	50.7	398	1.0	27.61	B5/B14	151.8		242	1.7	9.22	B5/B14			
	47.2	427	0.9	29.65	B5/B14	124.7		294	1.4	11.23	B5/B14			
						117.9		311	1.3	11.87	B5/B14			
	245.0	82	4.3	5.71	ATS912	B5/B14		108.4	338	1.5	12.92	B5/B14		
	182.7	110	3.2	7.66		B5/B14		98.0	374	1.3	14.29	B5/B14		
	158.2	128	3.1	8.85		B5/B14		86.2	425	1.2	16.24	B5/B14		
	151.8	133	3.0	9.22		B5/B14		80.5	456	1.1	17.39	B5/B14		
	124.7	162	2.5	11.23		B5/B14		70.0	524	1.1	20.01	B5/B14		
	117.9	171	2.3	11.87		B5/B14		66.3	553	1.1	21.10	B5/B14		
	108.4	186	2.7	12.92		B5/B14		55.6	659	0.9	25.16	B5/B14		
98.0	206	2.4	14.29	B5/B14										
86.2	234	2.1	16.24	B5/B14										
80.5	251	2.0	17.39	B5/B14										
70.0	288	2.1	20.01	B5/B14										
66.3	304	2.0	21.10	B5/B14										
55.6	362	1.7	25.16	B5/B14										
54.2	372	1.6	25.81	B5/B14										
48.5	407	1.5	28.88	B5/B14										

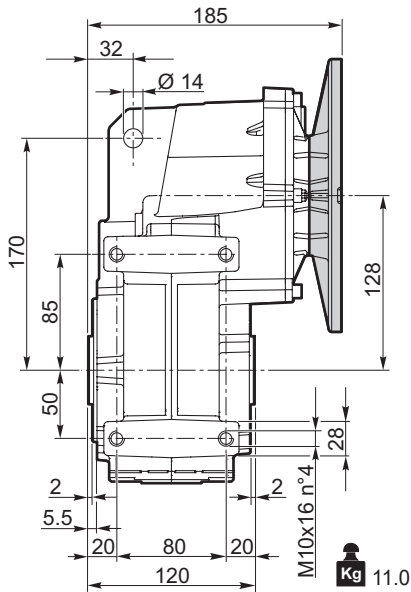


Dimensioni

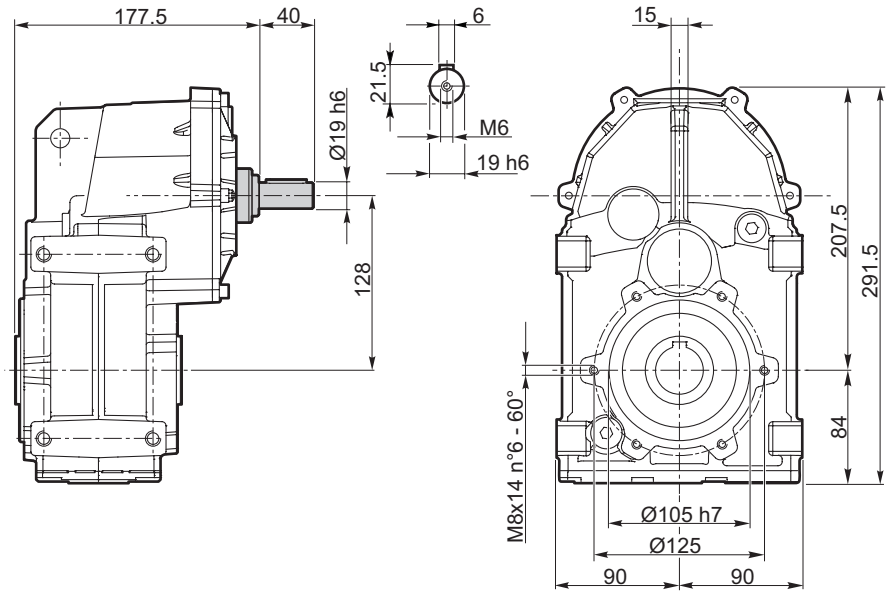
Dimensions

ATS 902

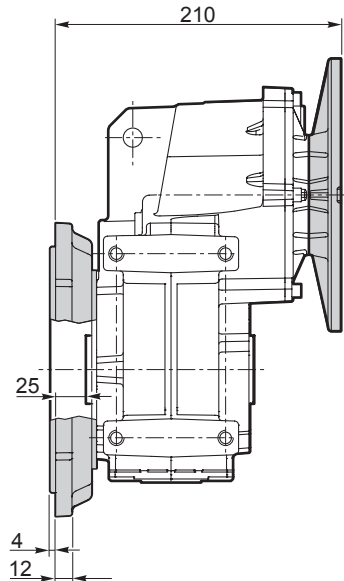
ATS 902 U..



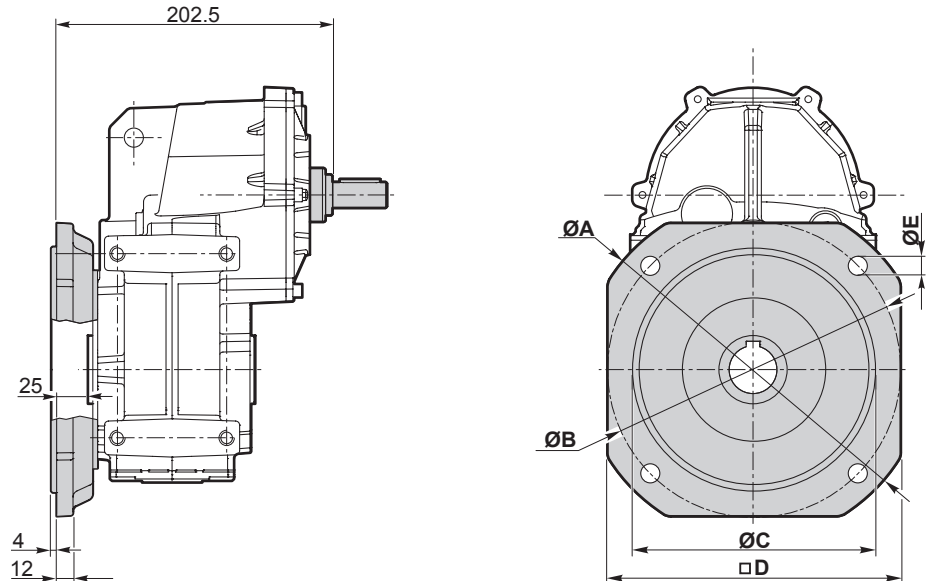
ATSIS 902 U..



ATS 902 F..



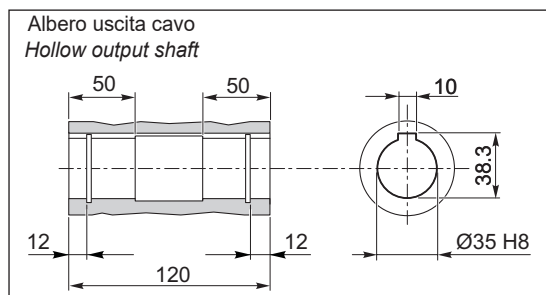
ATSIS 902 F..



Versione F / F Version

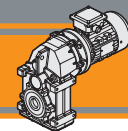
ATS ATSIS	ØA	ØB	ØC f7	□D	ØE	Flangia / Flange	
						Tipo / Type	Peso / Weight [kg]
902	200	165	130	165	11	F200	2
	250	215	180	215	14	F250	3.2

ATS 902.. D35 - ATSIS 902.. D35



Flangia entrata
Input flange





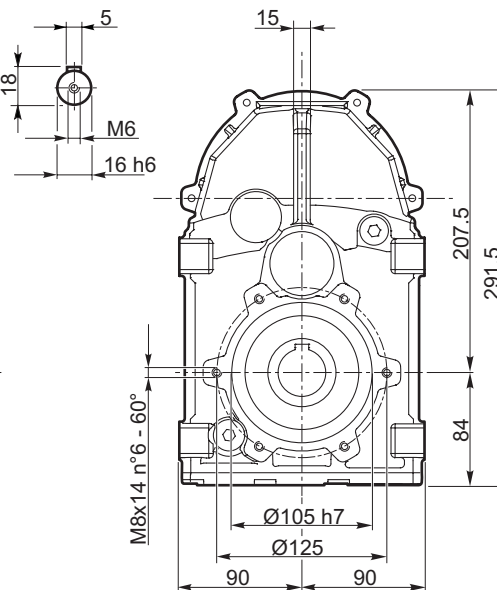
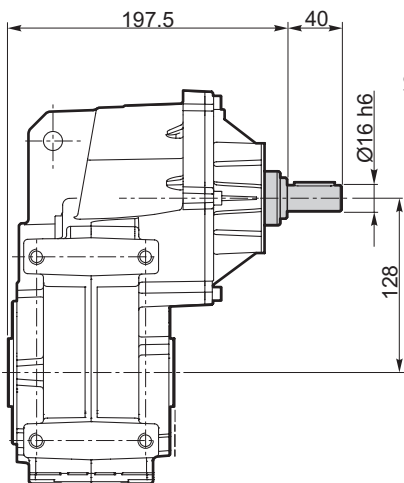
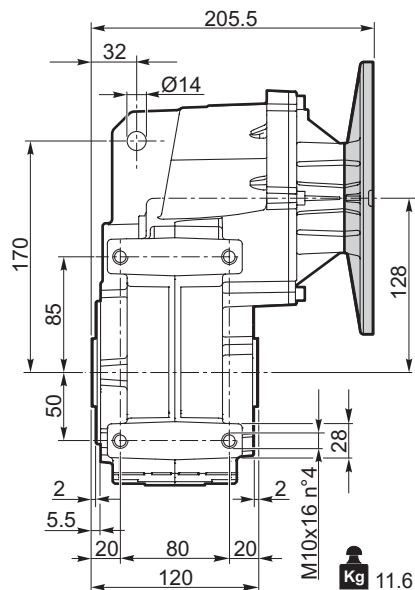
Dimensioni

Dimensions

ATS 903

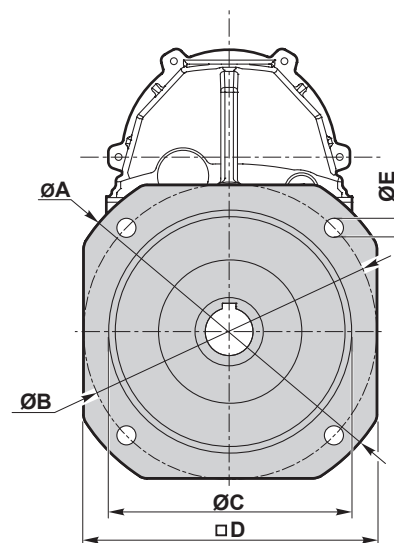
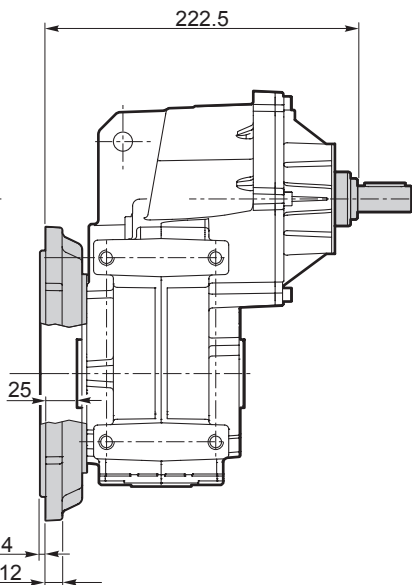
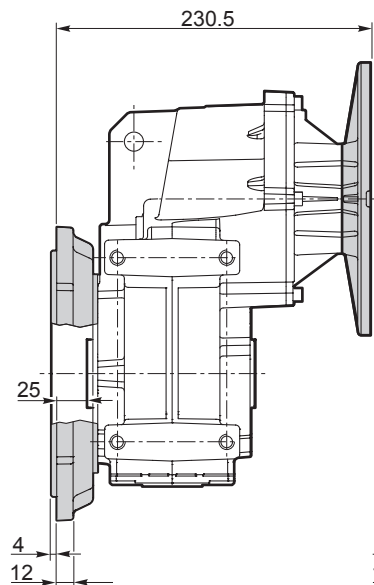
ATS 903 U..

ATSIS 903 U..



ATS 903 F..

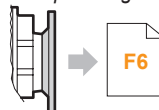
ATSIS 903 F..



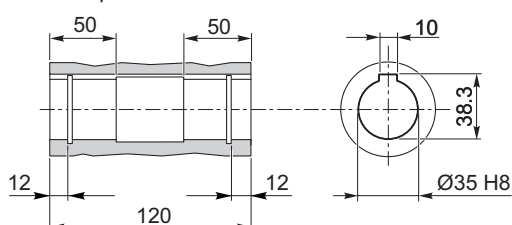
Versione F / F Version							
ATS ATSIS	ØA	ØB	ØC f7	□D	ØE	Flangia / Flange	
						Tipo / Type	Peso / Weight [kg]
903	200	165	130	165	11	F200	2
	250	215	180	215	14	F250	3.2

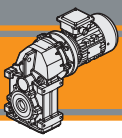
ATS 903.. D35 - ATSIS 903.. D35

Flangia entrata
Input flange



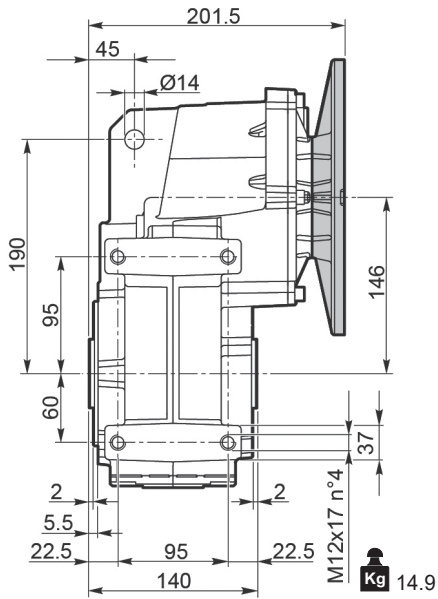
Albero uscita cavo
Hollow output shaft



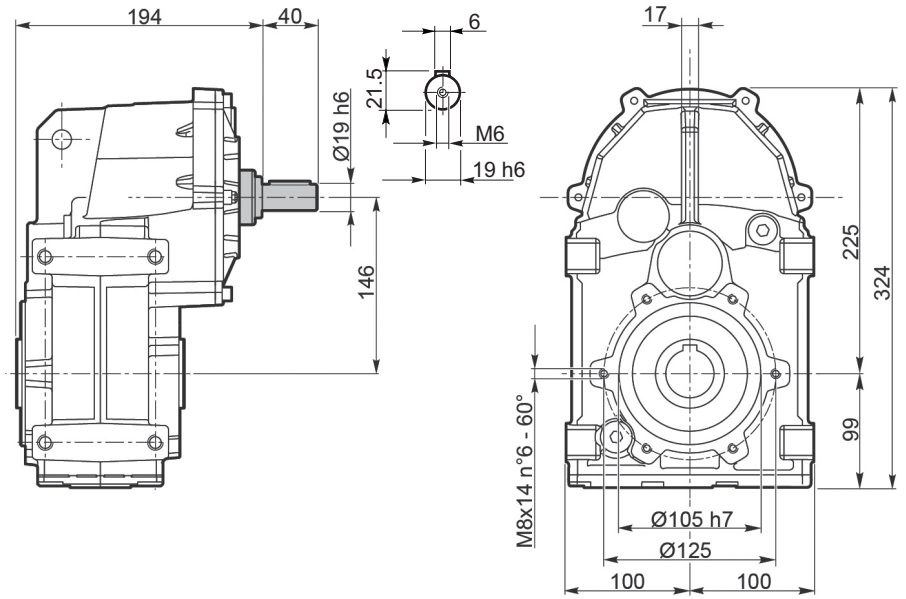


ATS 912

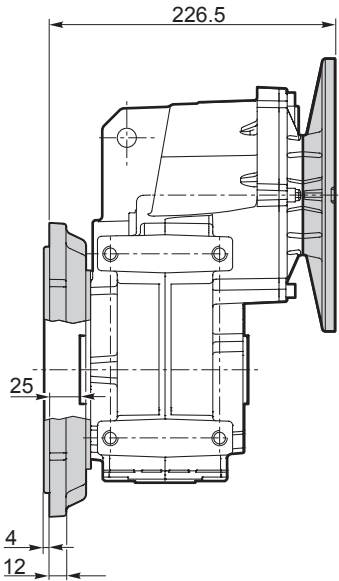
ATS 912 U..



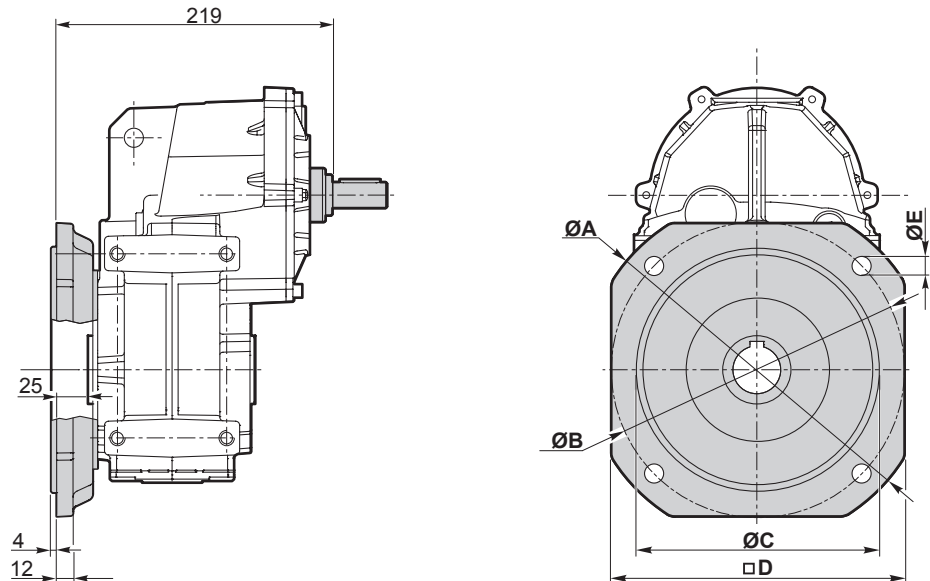
ATSIS 912 U..



ATS 912 F..



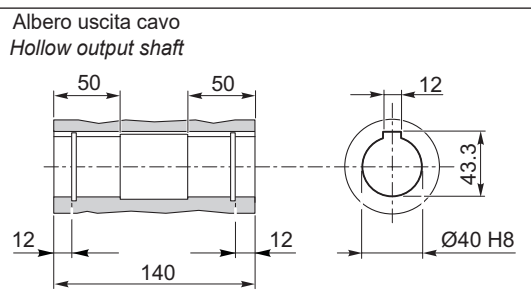
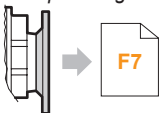
ATSIS 912 F..

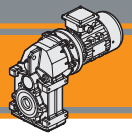


Versione F / F Version							
ATS ATSIS	$\varnothing A$	$\varnothing B$	$\varnothing C$ f7	$\square D$	$\varnothing E$	Flangia / Flange	
						Tipo / Type	Peso / Weight [kg]
912	200	165	130	165	11	F200	2
	250	215	180	215	14	F250	3.2

ATS 912.. D40 - ATSIS 912.. D40

Flangia entrata
Input flange



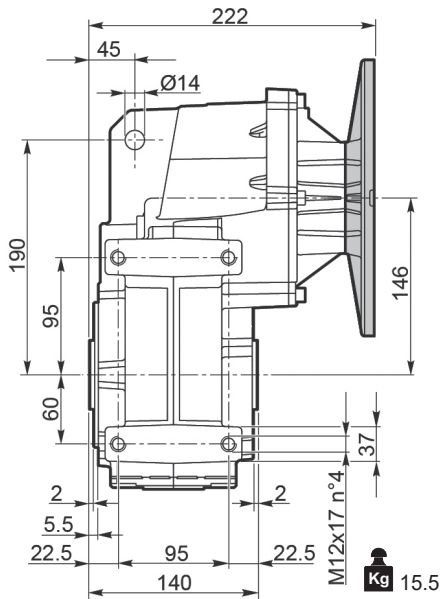


Dimensioni

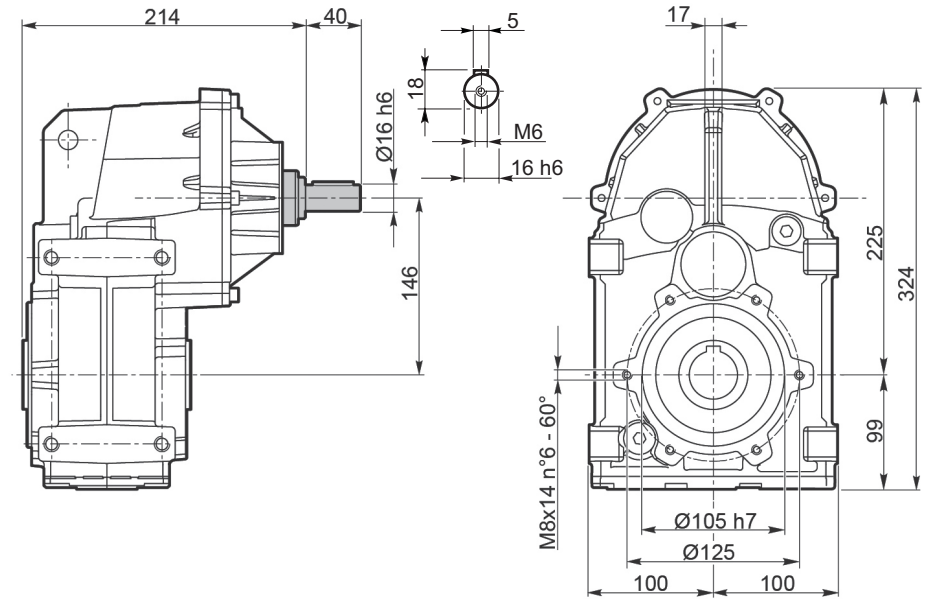
Dimensions

ATS 913

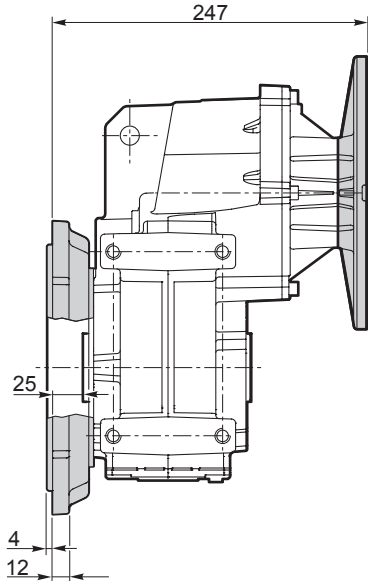
ATS 913 U..



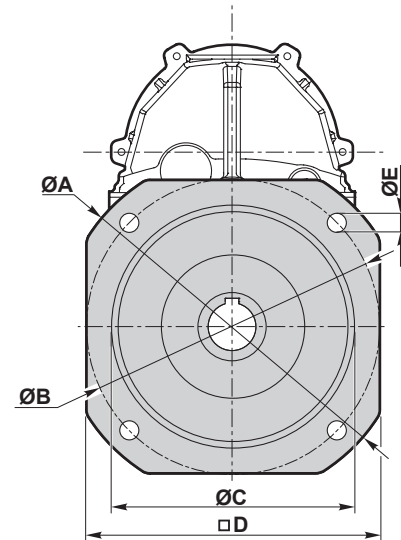
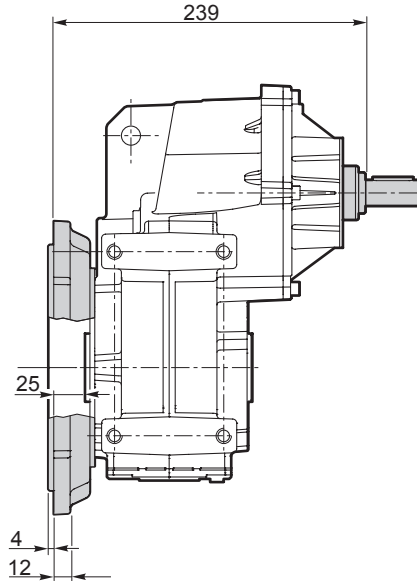
ATSIS 913 U..



ATS 913 F..



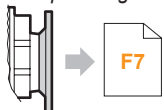
ATSIS 913 F..



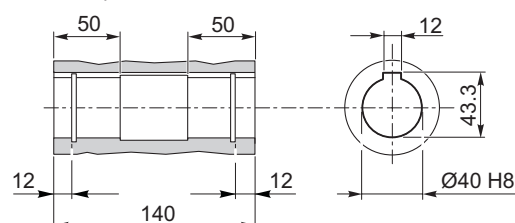
Versione F / F Version							
ATS ATSIS	ØA	ØB	ØC f7	□D	ØE	Flangia / Flange	
						Tipo / Type	Peso / Weight [kg]
913	200	165	130	165	11	F200	2
	250	215	180	215	14	F250	3.2

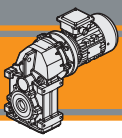
ATS 913.. D40 - ATSIS 913.. D40

Flangia entrata
Input flange



Albero uscita cavo
Hollow output shaft





Accessori

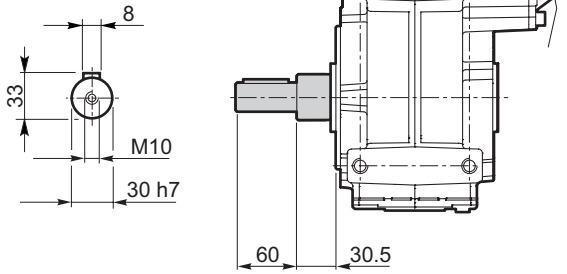
Accessories

Albero lento semplice

Single output shaft

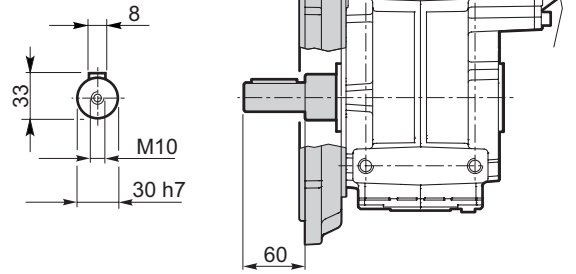
ATS90... U .. SZ

ATSIS90... U .. SZ



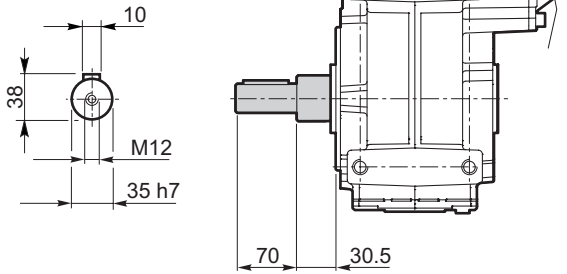
ATS90... F .. SZ

ATSIS90... F .. SZ



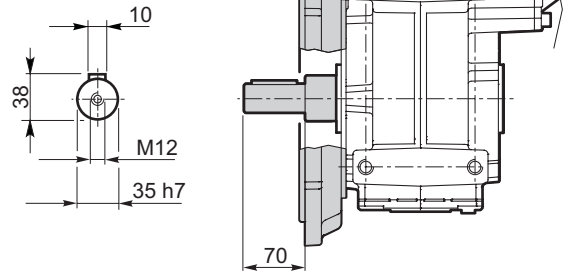
ATS91... U .. SZ

ATSIS91... U .. SZ



ATS91... F .. SZ

ATSIS91... F .. SZ

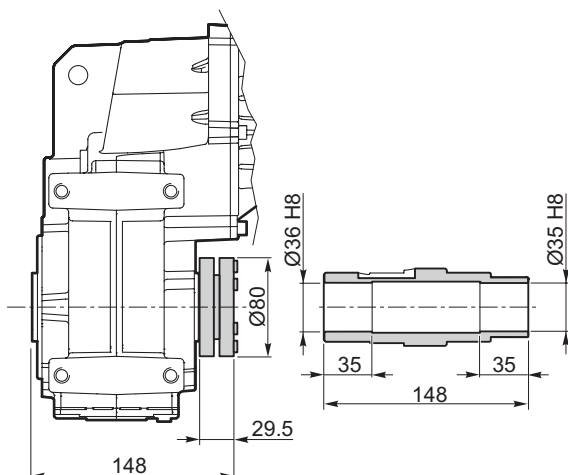


Albero lento con calettatore

Output shaft with shrink disk

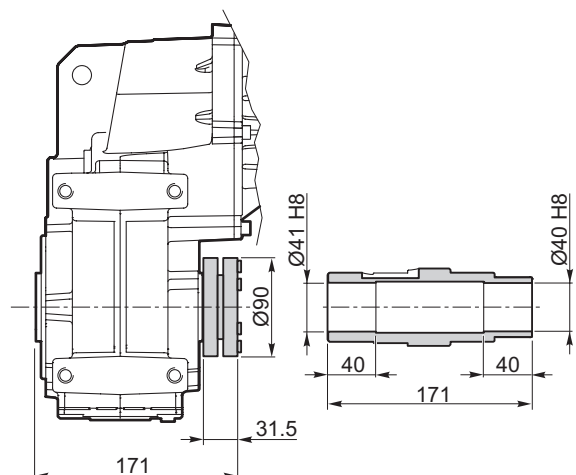
ATS90... U .. G35

ATSIS90... U .. G35



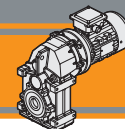
ATS91... U .. G40

ATSIS91... U .. G40



Kit albero uscita con calettatore disponibile a richiesta:
per le istruzioni di montaggio riferirsi al nostro Servizio Tecnico.

Output shaft kit with shrink disk available on request:
for assembly instructions please contact our Technical Service



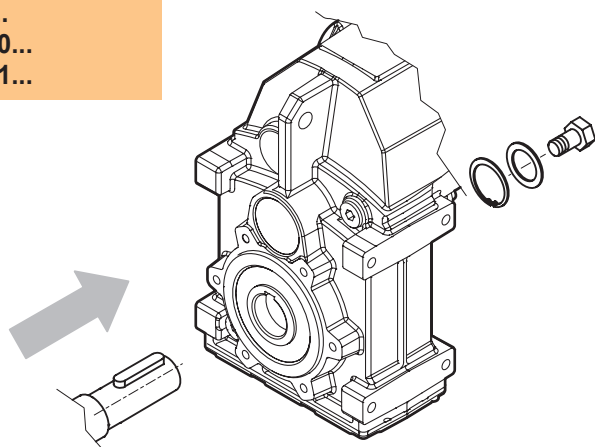
Accessori

Accessories

Kit di montaggio albero uscita

Output shaft assembly kit

ATS90...
ATS91...
ATSIS90...
ATSIS91...



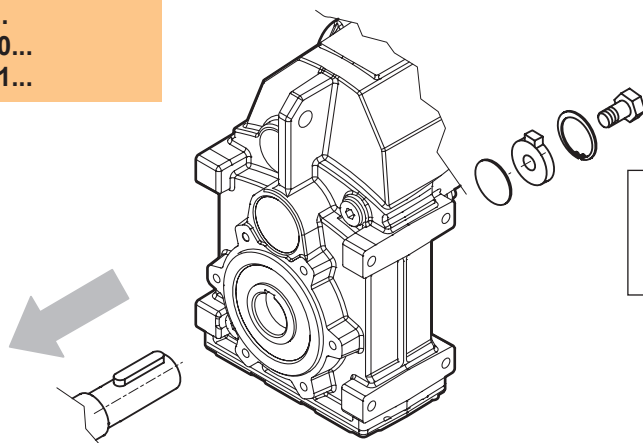
Kit di montaggio albero uscita disponibile a richiesta:
per le istruzioni di montaggio riferirsi al nostro Servizio Tecnico.

*Output shaft assembly kit available upon request:
for assembly instructions please contact our Technical Assistance*

Kit di smontaggio albero uscita

Output shaft disassembly kit

ATS90...
ATS91...
ATSIS90...
ATSIS91...



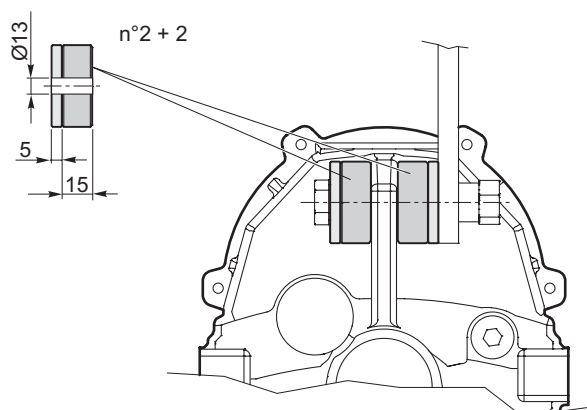
Kit di smontaggio albero uscita disponibile a richiesta:
per le istruzioni di montaggio riferirsi al nostro Servizio Tecnico.

*Output shaft disassembly kit available upon request:
for assembly instructions please contact our Technical Assistance*

Kit braccio di reazione

Torque arm kit

ATS90...U
ATS91...U
ATSIS90...U
ATSIS91...U



Kit braccio di reazione disponibile a richiesta:
per le istruzioni di montaggio riferirsi al nostro Servizio Tecnico.

*Torque arm kit available upon request:
for assembly instructions please contact our Technical Assistance*

 **TRANSTECNO SRL**
HEADQUARTERS

Company subject to the management
and coordination of INTERPUMP GROUP SPA
Via Caduti di Sabbiuno, 11/D-E
40011 Anzola dell'Emilia (BO)
ITALY
T+39 051 64 25 811
F +39 051 73 49 43
sales@transtecno.com
www.transtecno.com

**TRANSTECNO**[®]
the modular gearmotor

MEMBER OF INTERPUMP GROUP



 **HANGZHOU TRANSTECNO POWER TRANSMISSIONS CO LTD**
No.4 Xiuyan Road Fengdu Industry Zone
Pingyao Town Yuhang District
Hangzhou City, Zhejiang Province
311115 – CHINA
T +86 571 86 92 02 60
F +86 571 86 92 18 10
info-china@transtecno.cn
www.transtecno.cn

 **MA TRANSTECNO S.A.P.I. DE C.V.**
Av. Mundial # 176, Parque Industrial
JM Apodaca, Nuevo León,
C.P. 66600 – MÉXICO
T +52 8113340920
info@transtecno.com.mx
www.transtecno.com.mx

 **TRANSTECNO IBÉRICA THE MODULAR GEARMOTOR, S.A.**
Carrer de la Ciència, 45
08840 Viladecans (Barcelona) - SPAIN
T +34 931 598 950
info@transtecno.es
www.transtecno.es

 **TRANSTECNO B.V.**
De Stuwdam, 43
3815 KM Amersfoort - NETHERLANDS
T +31(0) 33 45 19 505
F +31(0) 33 45 19 506
info@transtecno.nl
www.transtecno.nl

 **TRANSTECNO AANDRIJFTECHNIEK B.V.**
De Stuwdam 43
3815 KM Amersfoort - NETHERLANDS
T +31 (0) 33 20 4 7 006
info@transtecnoaandrijftechnik.nl
www.transtecnoaandrijftechnik.nl

 **TRANSTECNO USA**
8 Creek Parkway,
Boothwyn PA 19061-8136
UNITED STATES
T + 1 (610) 4970154
F +1 (610) 497 6085

14561 Frylands Blvd SE
Monroe, WA 98272 - UNITED STATES
T +1 360-863-1300
F +1 360-863-1303
usaoffice@transtecno.com
www.transtecno.com

 **TRANSTECNO CANADA**
51 B Caldari Road Unit 10
Vaughan, ON L4K 4G3 - CANADA
T +1 905 761 0762
F +1 905 761 9265
canadaoffice@transtecno.com
www.transtecno.com

 **TRANSTECNO CHILE-PERU**
Av. Los Libertadores 41
Parque Industrial - Los Libertadores 16.500
Santiago, Colina - CHILE
T +56 2 29633870

Carretera Panamericana Sur KM 29.5,
Interior I-3, Z.I. Lurin - PERU
T +51 1 3546259 / + 51 1 3434231
chileoffice@transtecno.com
www.transtecno.com

 **SALES OFFICE BRAZIL**
Rua Dr. Freire Alemão 155 / 402 - CEP. 90450-060
Auxiliadora Porto Alegre RS - BRAZIL
T +55 51 3251 5447
F +55 51 3251 5447
M +55 51 811 45 962
braziloffice@transtecno.com
www.transtecno.com.br

 **SALES OFFICE OCEANIA**
44 Northview drive, Sunshine west 3020
Victoria - AUSTRALIA
T +61 03 9312 4722
F +61 03 9312 4714
M +61 0438060997
oceaniaoffice@transtecno.com
www.transtecno.com.au

 **SALES OFFICE INDIA**
Woodbine 2003/04, Everest World
Kolshet Road, Thane west Mumbai 400607
INDIA
T +91 982 061 46 98
indiaoffice@transtecno.com
www.transtecno.com

 **SALES OFFICE SOUTH KOREA**
772-41, Bongdong-ro, Bongdong-eup, Wanju-goon
Chonbuk, 55313
SOUTH KOREA
T +82 70 8867 8897
F +82 504 199 2107
M +82 10 5094 2107
koreaoffice@transtecno.com
www.transtecno.com

www.transtecno.com